



FORD PERFORMANCE

M-8600-M50ALTA
200A Coyote Alternator Kit

NO PART OF THIS DOCUMENT MAY BE REPRODUCED WITHOUT PRIOR AGREEMENT AND WRITTEN PERMISSION OF
FORD PERFORMANCE PARTS © Ford Motor Company 2020

PRIOR TO INSTALLATION READ THESE INSTRUCTION COMPLETELY
For questions, Call the FORD PERFORMANCE Techline 1-800-367-3788

Please visit <https://www.performanceparts.ford.com> for warranty information

Kit Contents

#	Component Base Number	Description	QTY
1	-10346-	Alternator Assy	1
2	-6B209-	FEAD Belt Tensioner	1
3	-8620-	FEAD Belt	1
4	-8678-	Idler Pulley	1
5	W520414-S440	Nut M10	1
6	W715092-S437	Bolt M10 x 90	1
7	W710217-S439	Stud M10 x 25 + M10 x 22	1
8	W709638-S439	Bolt M10 x 70	1
9	W707288-S437	Bolt M8 x 31	1
10	W711953-S900	Nut M8 x 1.25	1

Ford Factory Shop Manual purchase options www.motorcraftservice.com

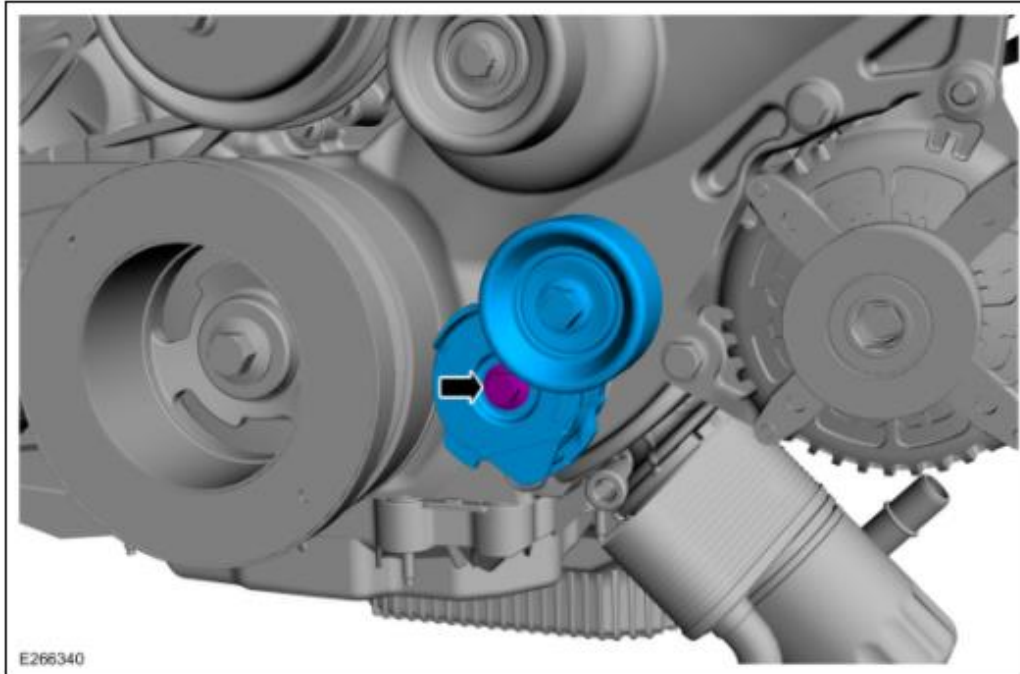


FORD PERFORMANCE

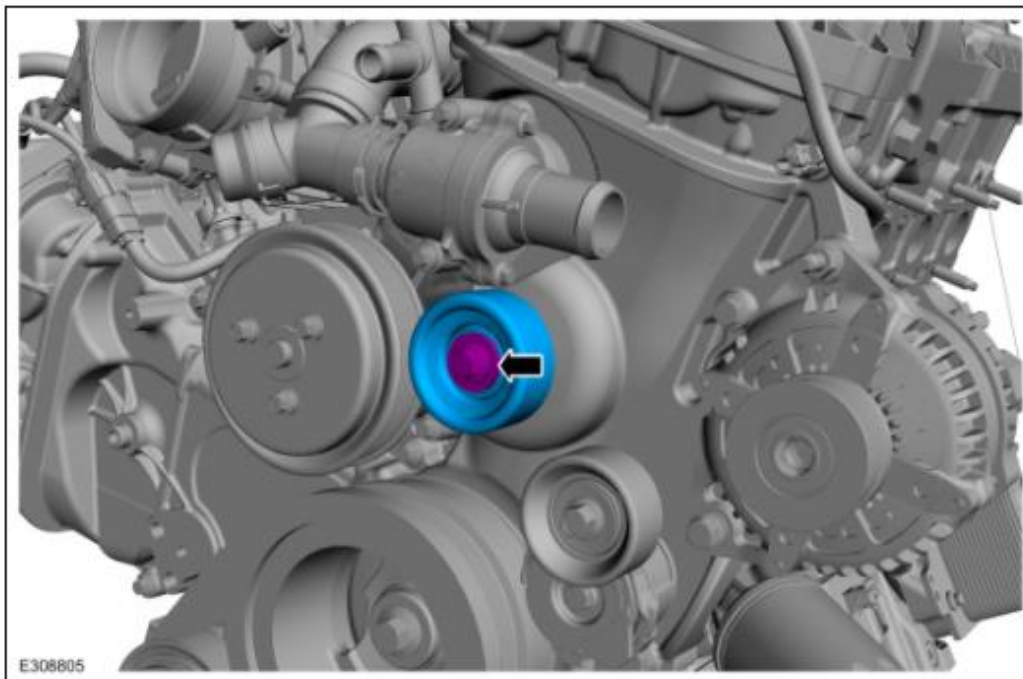
M-8600-M50ALTA 200A Coyote Alternator Kit

NO PART OF THIS DOCUMENT MAY BE REPRODUCED WITHOUT PRIOR AGREEMENT AND WRITTEN PERMISSION OF FORD PERFORMANCE PARTS © Ford Motor Company 2020

1. Install the FEAD Belt Tensioner
Bolt W709638-S439 Torque: 35 ft-lb (48 Nm)



2. Install the Idler Pulley
Bolt: W707288-S437 Torque: 93 in-lb (10.5 Nm)



Ford Factory Shop Manual purchase options www.motorcraftservice.com

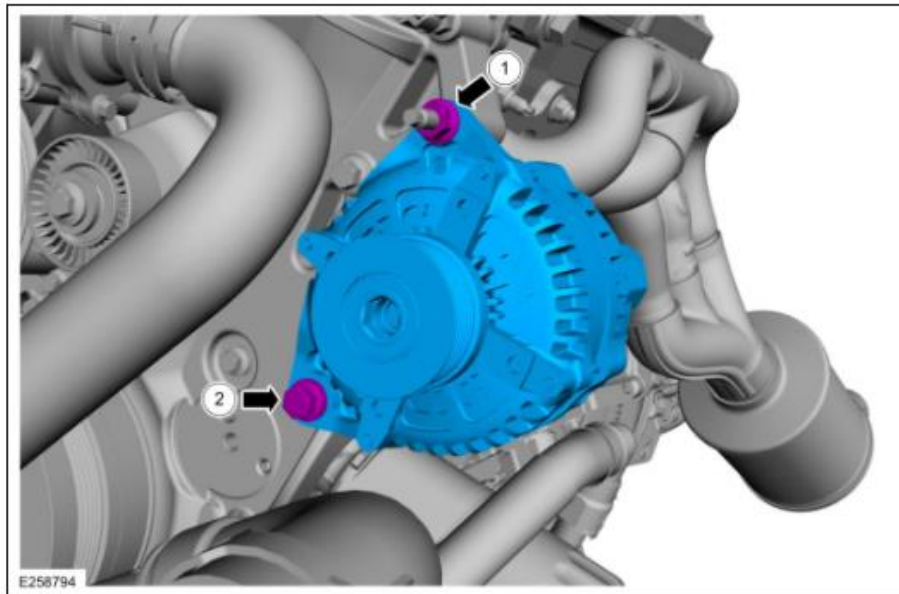


FORD PERFORMANCE

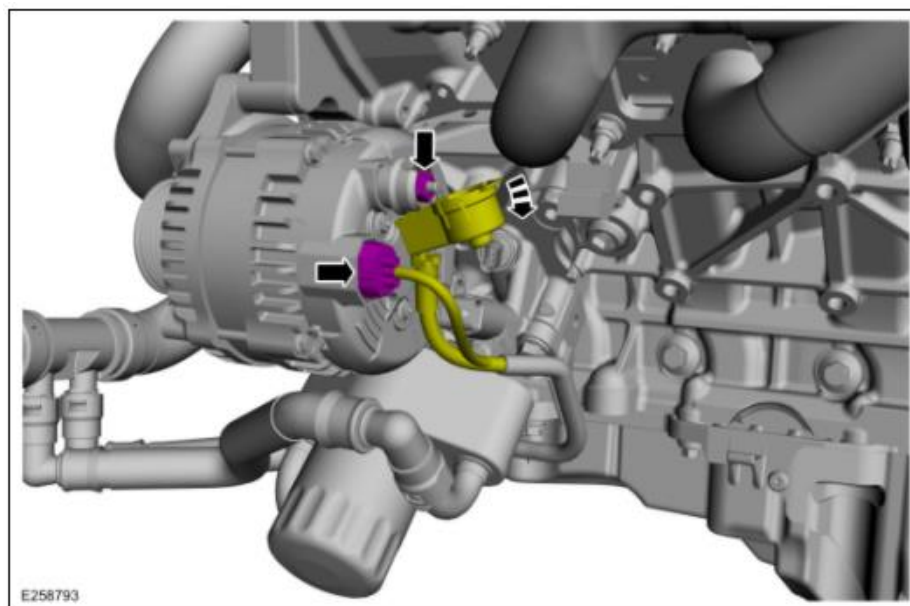
M-8600-M50ALTA 200A Coyote Alternator Kit

NO PART OF THIS DOCUMENT MAY BE REPRODUCED WITHOUT PRIOR AGREEMENT AND WRITTEN PERMISSION OF FORD PERFORMANCE PARTS © Ford Motor Company 2020

3. Install Stud W710217-S439 into threaded hole for alternator mounting
4. Assemble the Alternator onto Stud and install fasteners
 1. Nut: W852414-S440 Torque: 35 lb.ft (47 Nm)
 2. Bolt: Bolt: W715092-S437 Torque: 35 lb.ft (47 Nm)



5. Connect electrical cable
 1. Nut: W711953-S900 Torque: 150 lb.in (17 Nm)



Ford Factory Shop Manual purchase options www.motorcraftservice.com

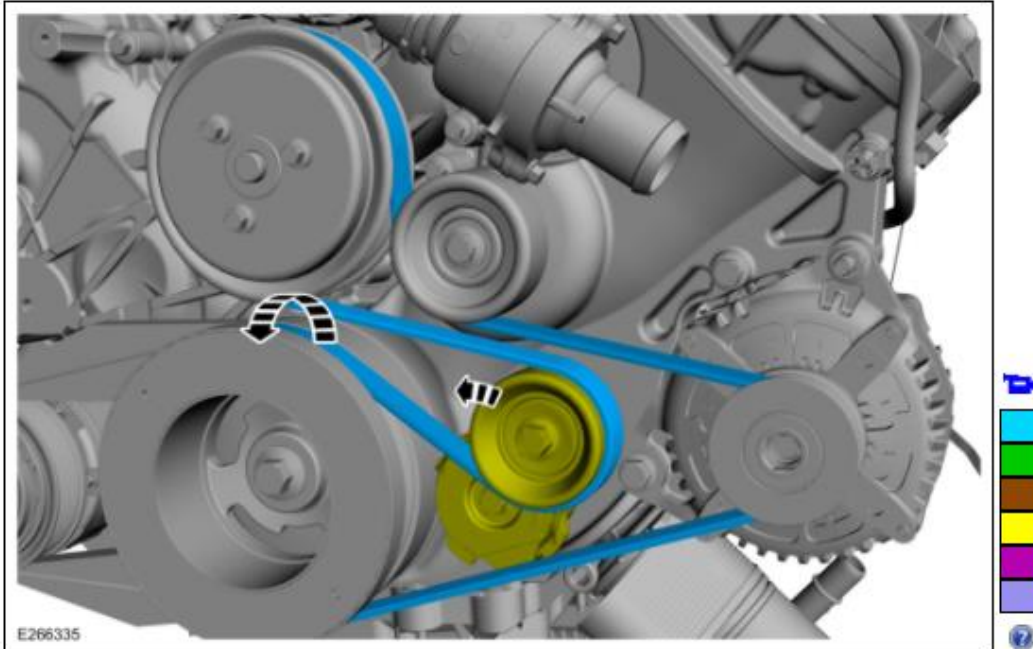


FORD PERFORMANCE

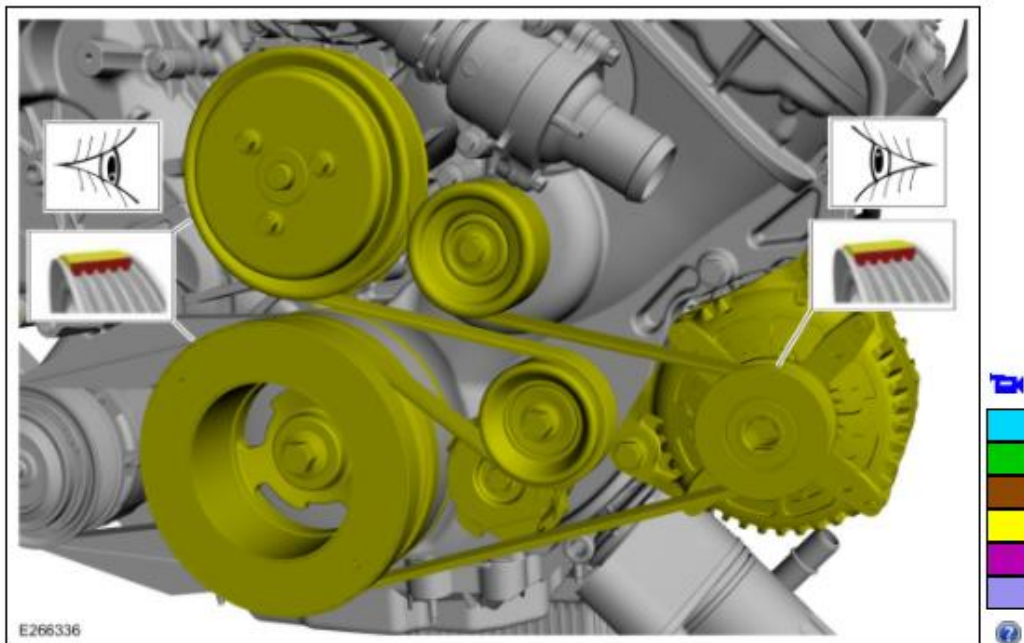
M-8600-M50ALTA 200A Coyote Alternator Kit

NO PART OF THIS DOCUMENT MAY BE REPRODUCED WITHOUT PRIOR AGREEMENT AND WRITTEN PERMISSION OF FORD PERFORMANCE PARTS © Ford Motor Company 2020

6. Rotate the accessory drive belt tensioner counter clockwise and install accessory drive belt



7. After installation, make sure the accessory drive belt is correctly seated on all pulleys



Ford Factory Shop Manual purchase options www.motorcraftservice.com