



**FORD PERFORMANCE**

M-5230-M2EB/EC/EBV/ECV/SB/SC/SBV/SCV/TBV/TCV

Model 2024+

Mustang 2.3L rear section exhaust

NO PART OF THIS DOCUMENT MAY BE REPRODUCED WITHOUT PRIOR AGREEMENT AND WRITTEN PERMISSION OF  
FORD PERFORMANCE PARTS © Ford Motor Company 2020

**PRIOR TO INSTALLATION READ THESE INSTRUCTION COMPETELY**  
For questions, Call the FORD PERFORMANCE Techline 1-800-367-3788

Please visit <https://www.performanceparts.ford.com> for warranty information

## OVERVIEW:

***The use of a floor hoist is recommended for this installation. If you do not have access to one, use a hydraulic floor jack and jack stands to raise the vehicle.***

***!! CAUTION: JACK STANDS MUST BE USED ON A LEVEL SURFACE AND BE SECURELY SEATED. FAILURE TO DO SO MAY RESULT IN PERSONAL INJURY OR VEHICLE DAMAGE !!***

## KIT INCLUDES:

<u>Item #</u>	<u>Qty:</u>	<u>Description</u>
1	2	Muffler
2	2	Clamp

Factory Ford shop manuals are available from Helm Publications, 1-800-782-4356



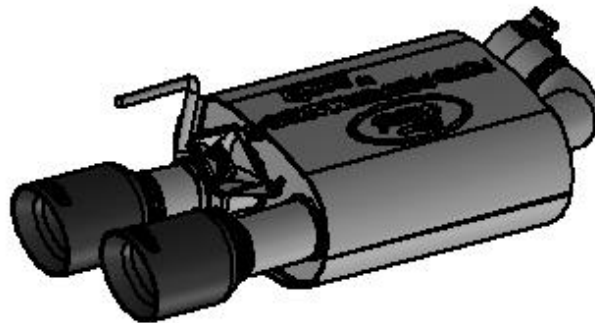
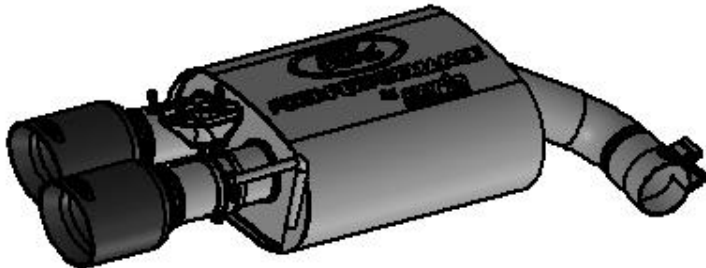
FORD PERFORMANCE

M-5230-M2EB/EC/EBV/ECV/SB/SC/SBV/SCV/TBV/TCV

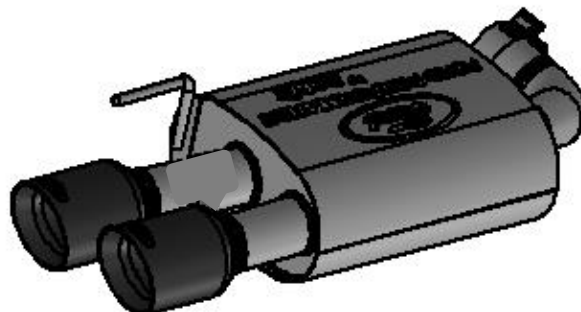
Model 2024+

Mustang 2.3L rear section exhaust

Representative image for M-5230-M2EB\_SB. M-5200-M2EC\_SC are chrome tip versions.



Representative image for M-5230-M2EBV\_SBV\_TBV. M-5200-M2ECV\_SCV\_TCV are chrome tip versions.



Factory Ford shop manuals are available from Helm Publications, 1-800-782-4356



FORD PERFORMANCE

M-5230-M2EB/EC/EBV/ECV/SB/SC/SBV/SCV/TBV/TCV

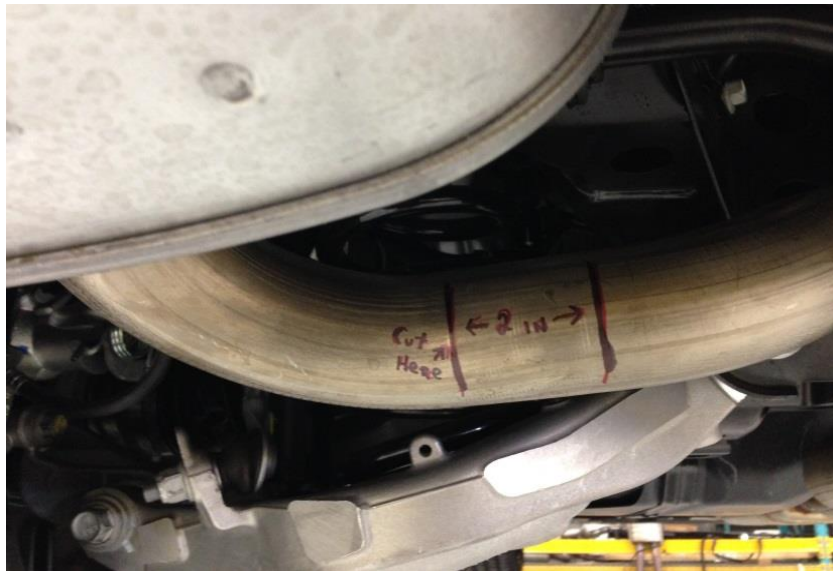
Model 2024+

Mustang 2.3L rear section exhaust

## REMOVAL INSTRUCTIONS:

**STEP 1: Rise and support vehicle.**

**STEP 2: Mark both drivers and passenger intermediate pipes before the last bend to muffler.**



**Drivers side muffler (Cut line is the start of the bend going into the muffler)**



**Passenger side muffler (Cut line is the start of the bend going into the muffler)**

Factory Ford shop manuals are available from Helm Publications, 1-800-782-4356



FORD PERFORMANCE

M-5230-M2EB/EC/EBV/ECV/SB/SC/SBV/SCV/TBV/TCV

Model 2024+

Mustang 2.3L rear section exhaust

**STEP 3: Using a metal cutting saw cut both drivers and passenger intermediate pipes at cut lines.**



**STEP 4: After cutting is completed remove muffler from rear hanger, deburr intermediate pipe. For vehicles with valves, disconnect the valves at the rear mufflers (LH and RH). Pull the pin holding the connector in, slide it out of the valve actuator assy.**



Factory Ford shop manuals are available from Helm Publications, 1-800-782-4356





FORD PERFORMANCE

M-5230-M2EB/EC/EBV/ECV/SB/SC/SBV/SCV/TBV/TCV

Model 2024+

Mustang 2.3L rear section exhaust

## INSTALLATION INSTRUCTIONS:

**STEP 1:** For systems with valves, the actuator will have to be removed from the factory system by removing 3 nuts as shown and attached to the valve on the new exhaust. The Factory bracket also needs to be installed in the factory location.



Factory Ford shop manuals are available from Helm Publications, 1-800-782-4356



FORD PERFORMANCE

M-5230-M2EB/EC/EBV/ECV/SB/SC/SBV/SCV/TBV/TCV

Model 2024+

Mustang 2.3L rear section exhaust

**STEP 1: (cont'd) As the muffler is raised into position, attach the cable to the valve on each side.**



**STEP 2: Install drivers hand muffler into rear hanger slide clamp onto muffler pipe, slide muffler onto the pipe that you just cut. Position tips in bumper cutout and torque clamp to 48Nm (35 lb-ft).**



Factory Ford shop manuals are available from Helm Publications, 1-800-782-4356





**FORD PERFORMANCE**

M-5230-M2EB/EC/EBV/ECV/SB/SC/SBV/SCV/TBV/TCV

Model 2024+

Mustang 2.3L rear section exhaust

**Step 3: Install passenger hand muffler into rear hanger slide clamp onto muffler pipe, slide muffler onto the pipe that you just cut. Position tips in cutout and torque clamp to 48Nm (35 lb-ft).**



**Step 7: Check all fasteners for proper torque.**

**Step 8: Check alignment of tips in rear bumper cover and clearance to all parts under the vehicle.**

Factory Ford shop manuals are available from Helm Publications, 1-800-782-4356



**FORD PERFORMANCE**

M-5230-M2EB/EC/EBV/ECV/SB/SC/SBV/SCV/TBV/TCV

Model 2024+

Mustang 2.3L rear section exhaust



**STEP 9: Lower vehicle. Start vehicle and check for any leaks. If any leaks are found, determine cause (such as loose or incorrectly positioned clamp) and repair as necessary.**

**Congratulations!!!** You have completed the installation of your new Ford Performance Parts Exhaust Kit.

*Note: When you first start your vehicle after the installation of your new Ford Performance Parts Exhaust System, there may be some smoke and fumes coming from the system. This is a protective water based coating used in the manufacturing of mandrel bent performance exhaust tubing. This is not a problem and will disappear within a very short period of time after the exhaust has reached operating temperatures.*

Factory Ford shop manuals are available from Helm Publications, 1-800-782-4356