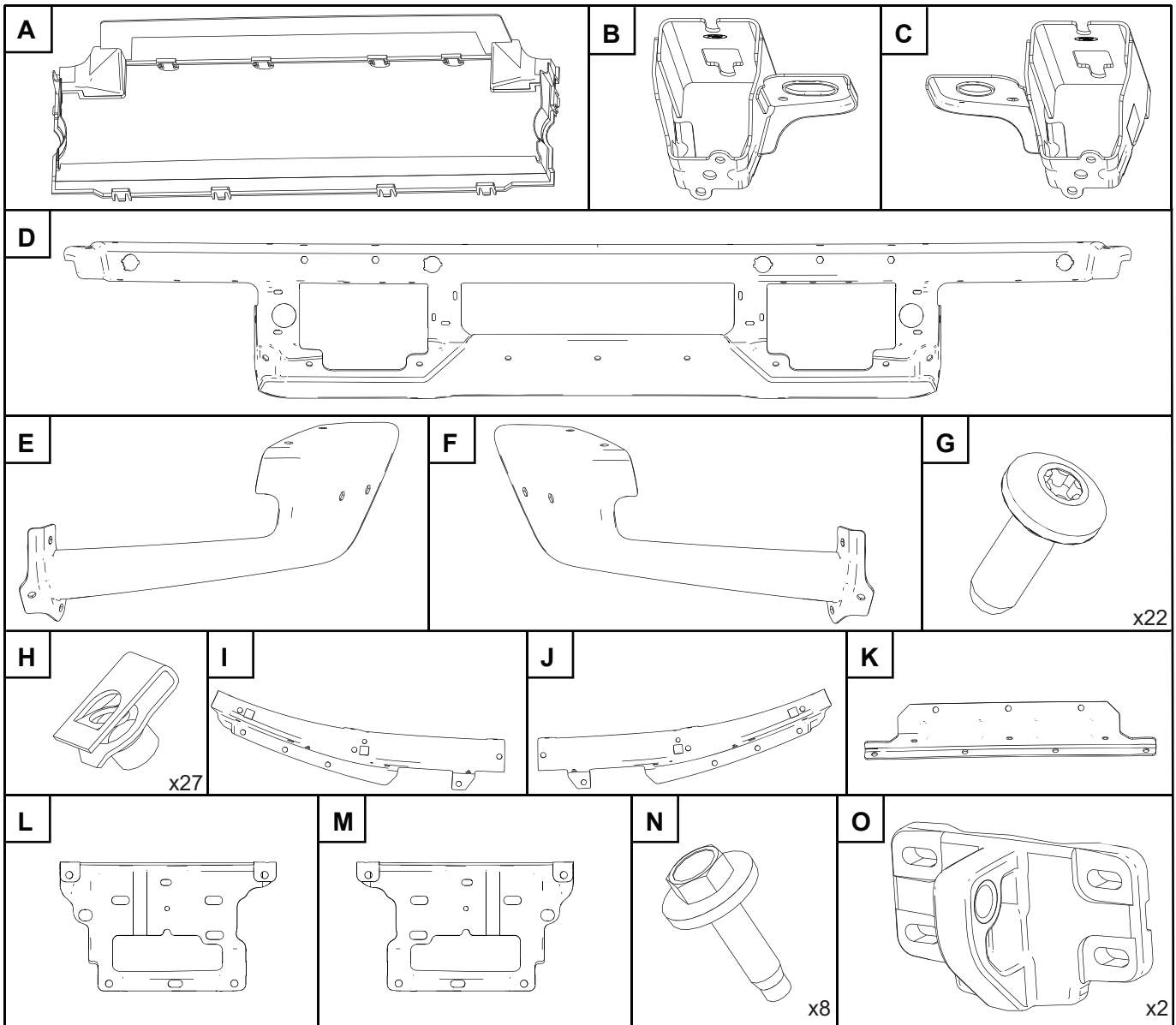
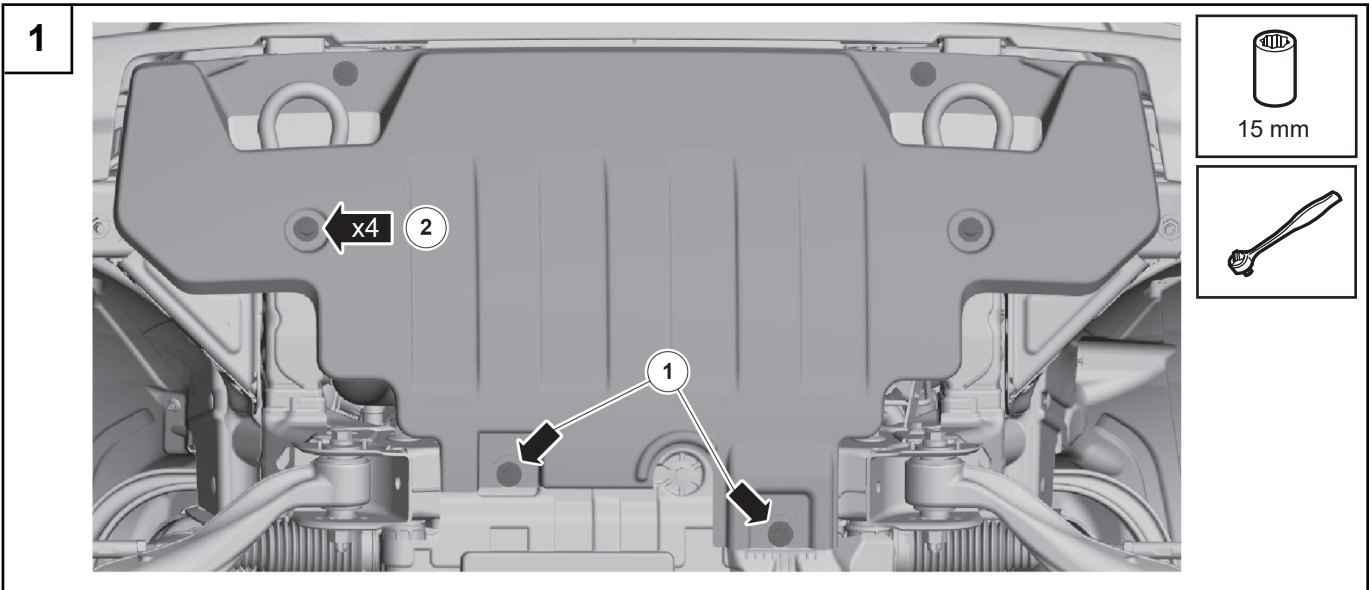
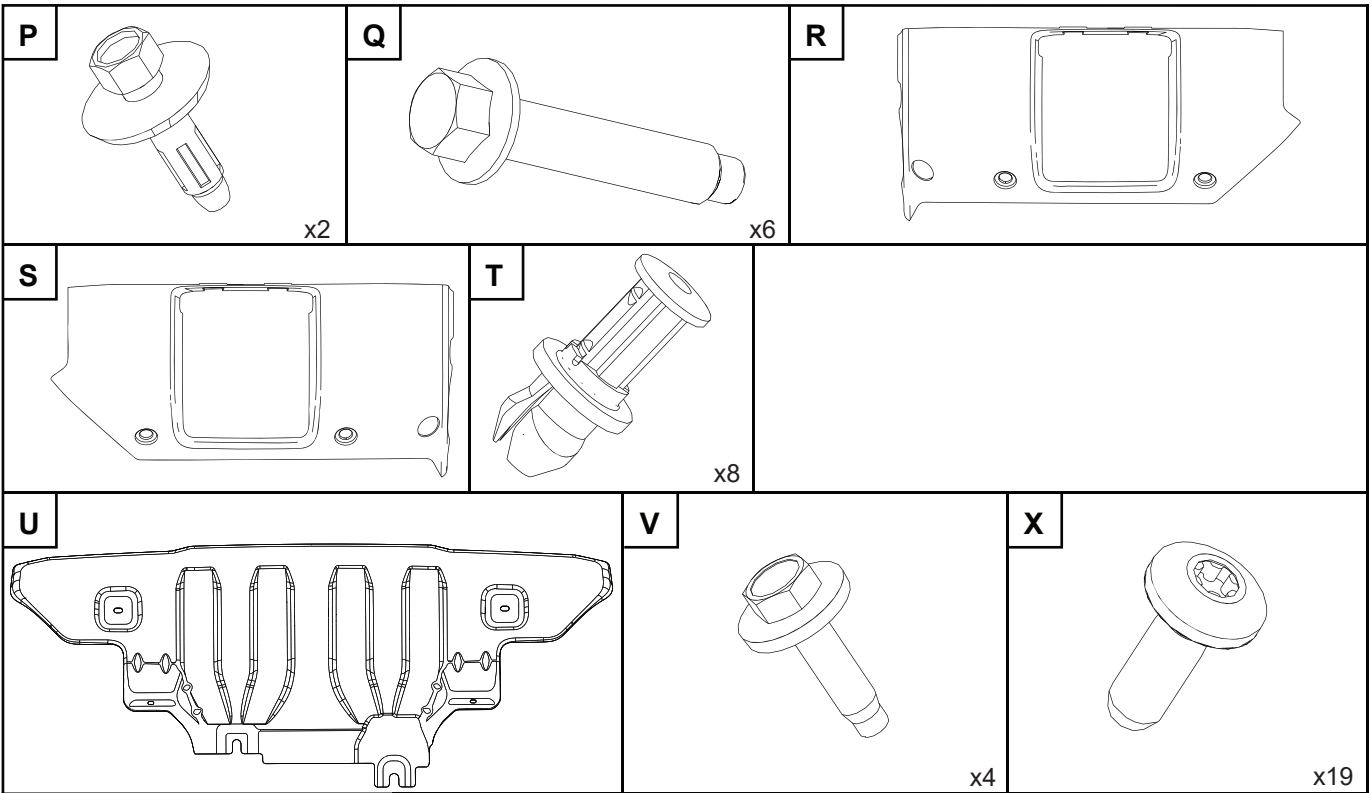


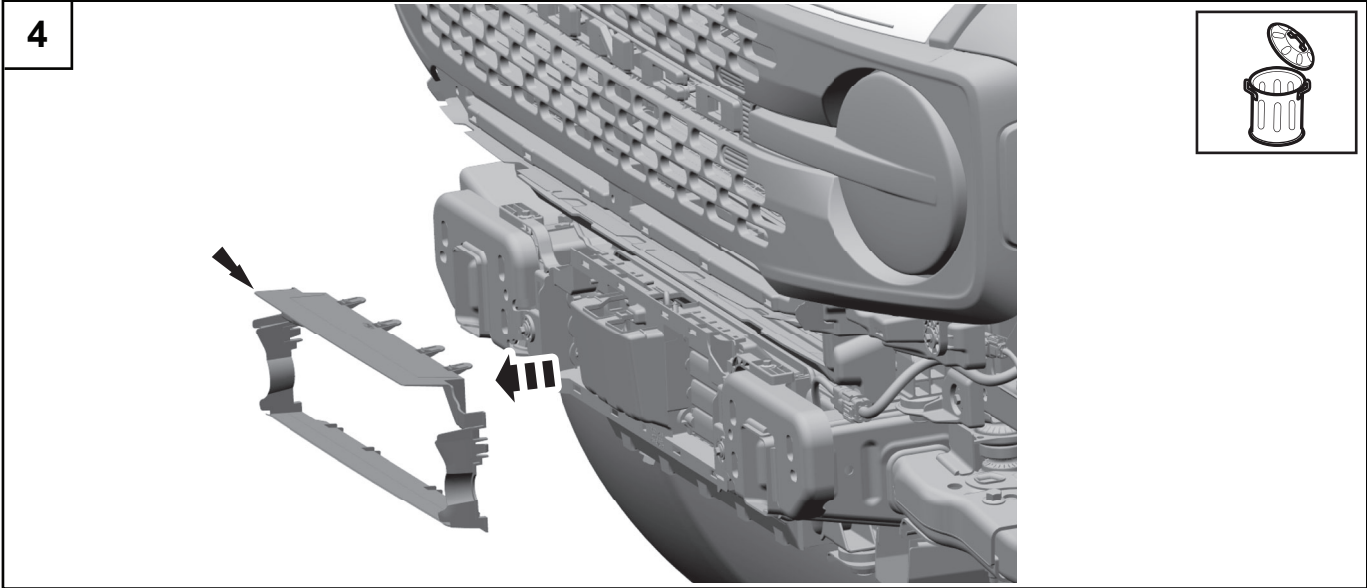
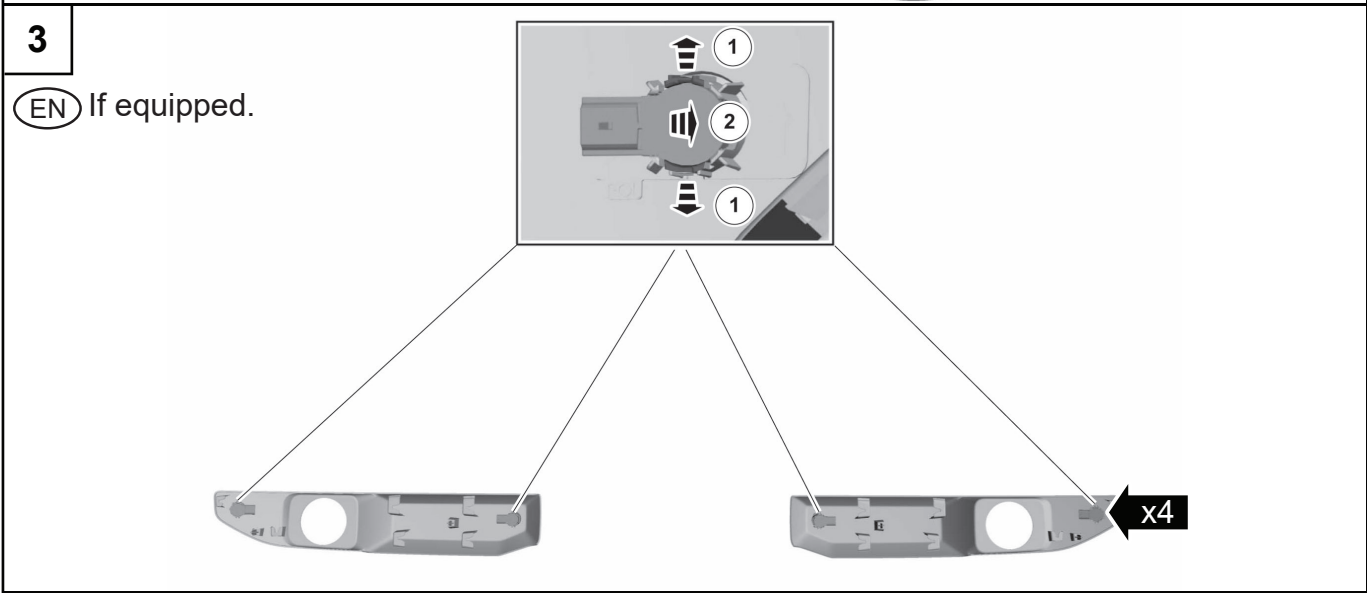


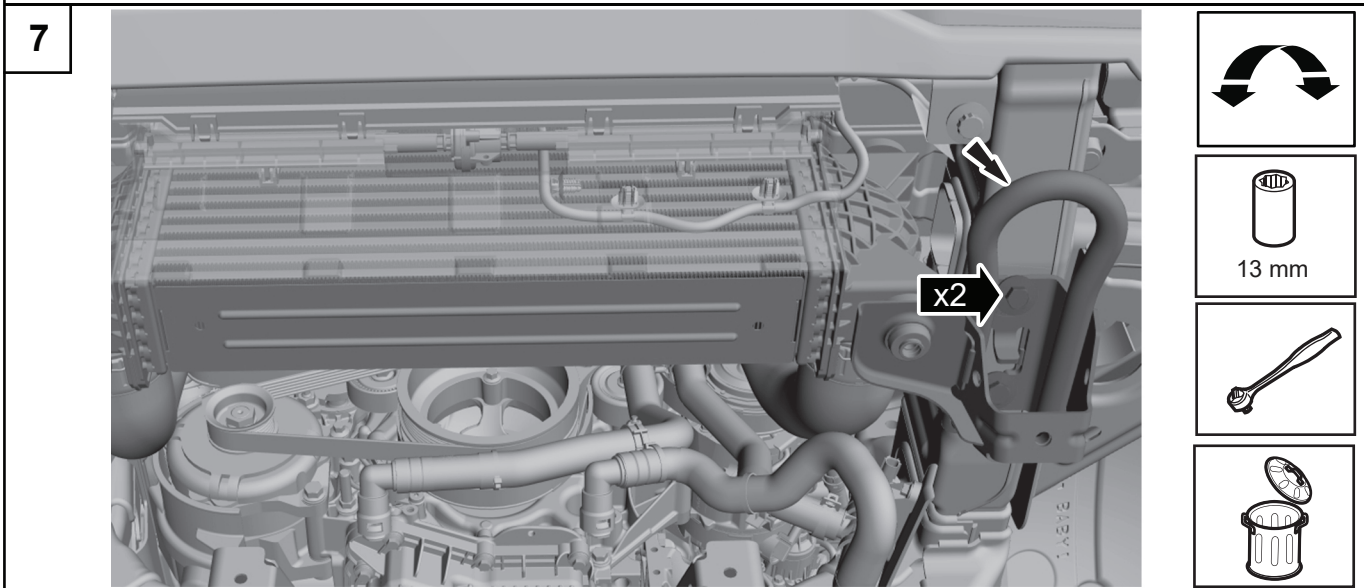
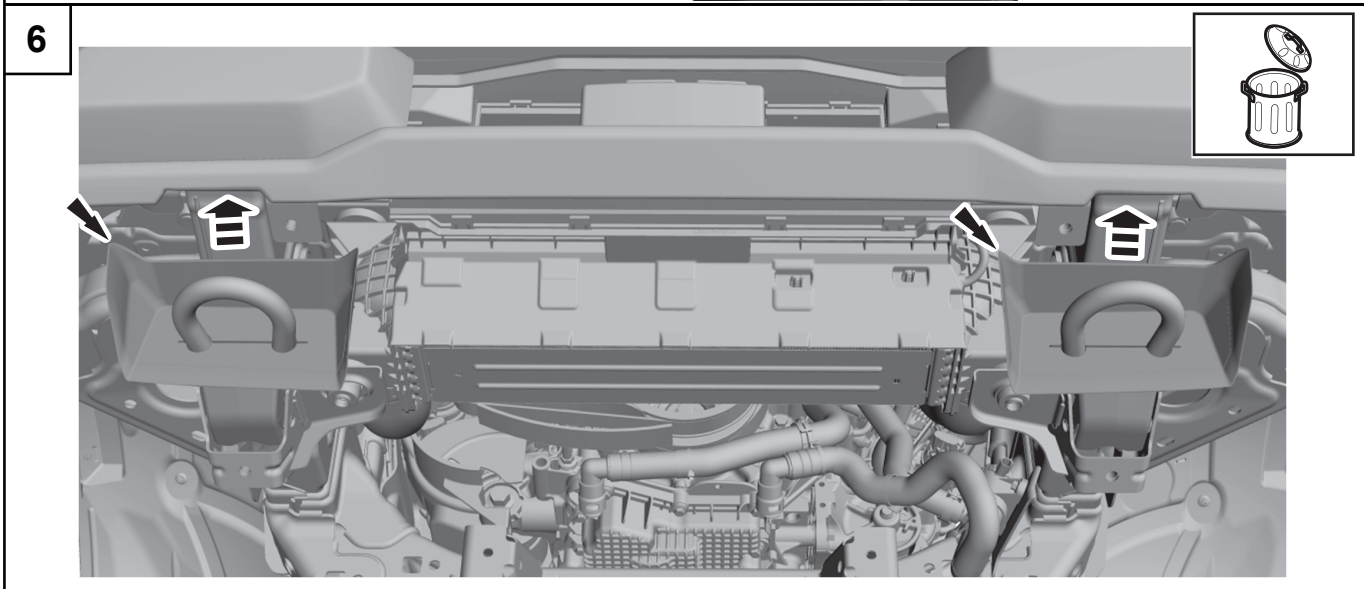
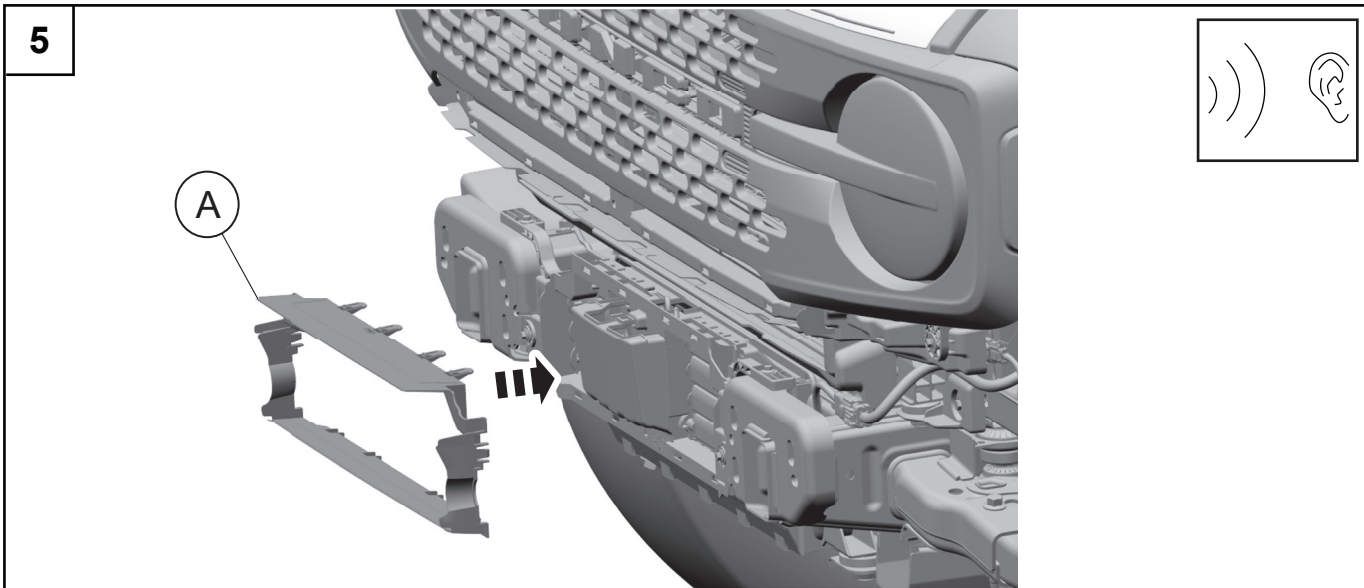
© Copyright Ford 2026
Printed Copies are uncontrolled
Expert Fitment Required
Subject to alteration without notice

BRONCO 2021









8

B C x4

80 Nm (59 Lb ft)

13 mm

9

D G E x7

T40

25 Nm (18 Lb ft)

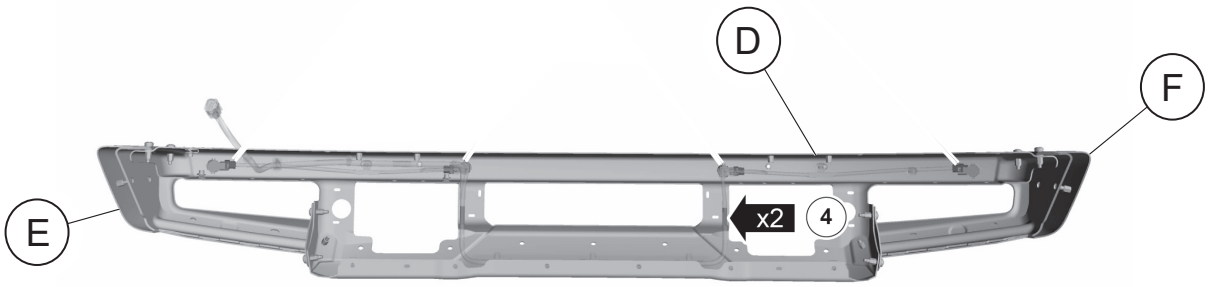
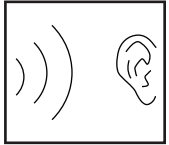
10

D F G x7

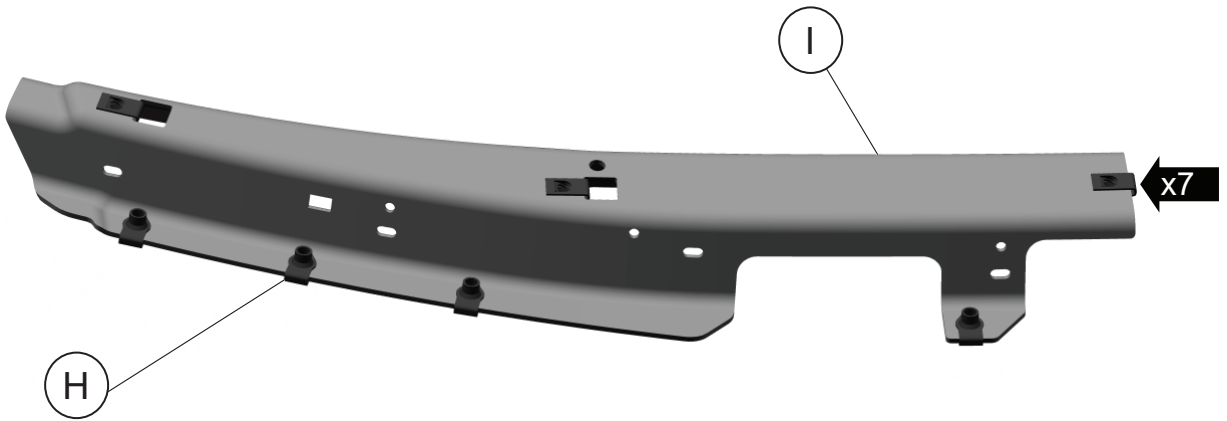
T40

25 Nm (18 Lb ft)

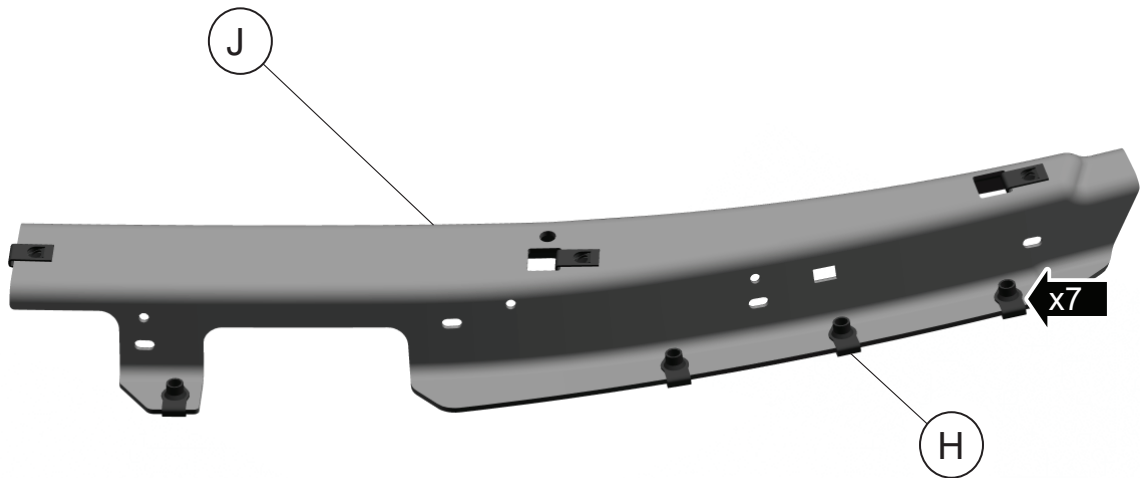
11



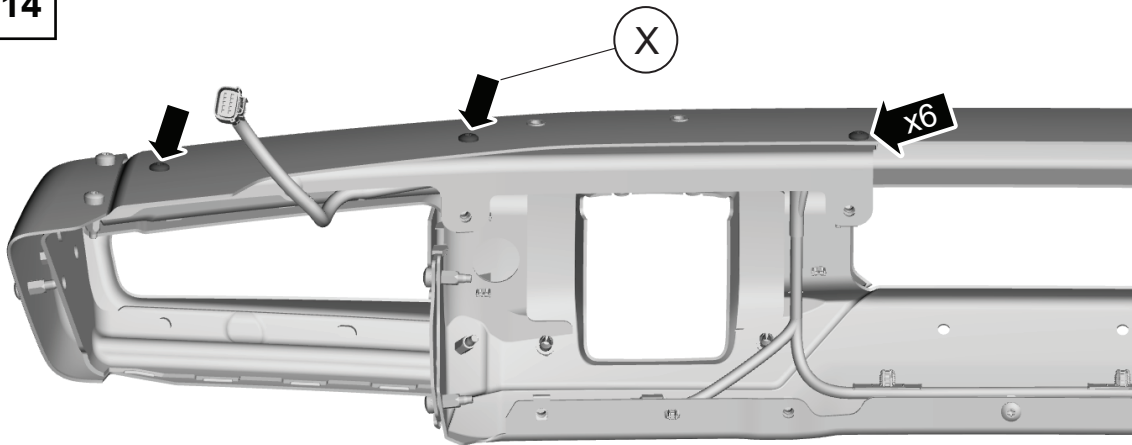
12



13



14



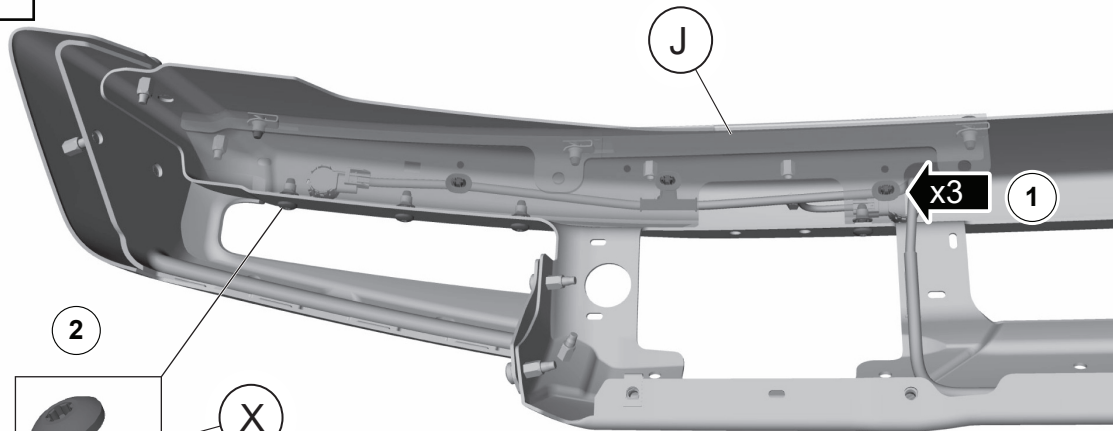
25 Nm (18 Lb ft)



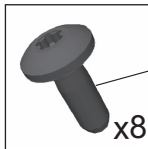
T40



15



25 Nm (18 Lb ft)



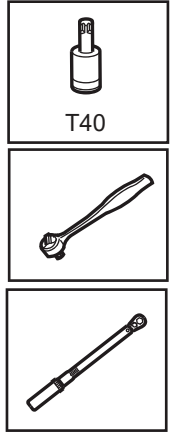
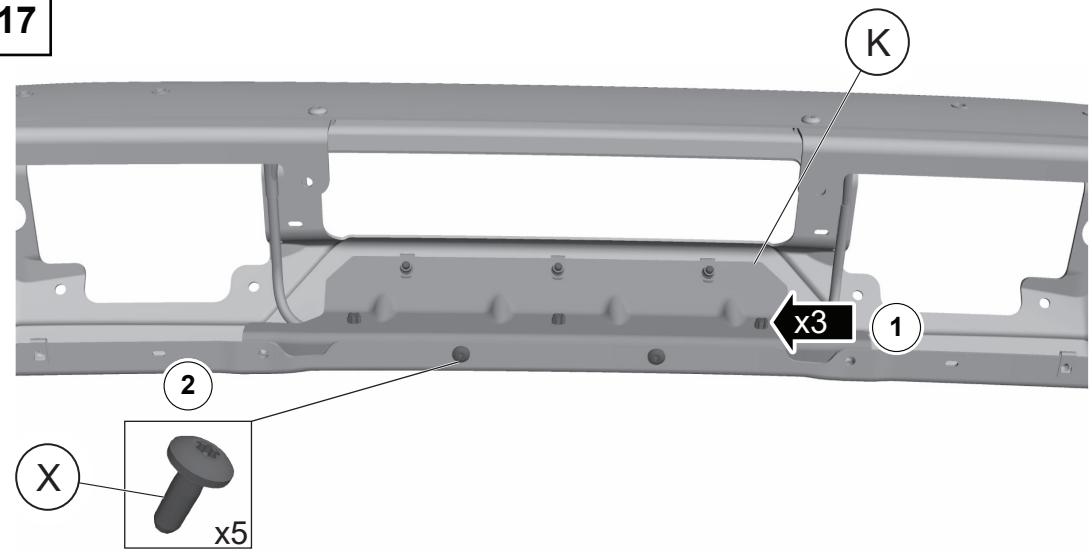
T40



16

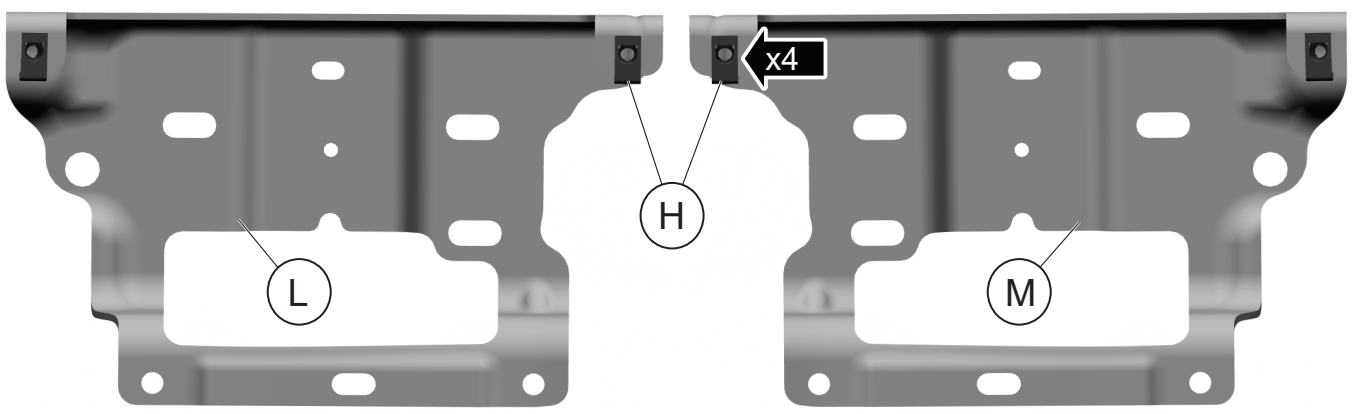


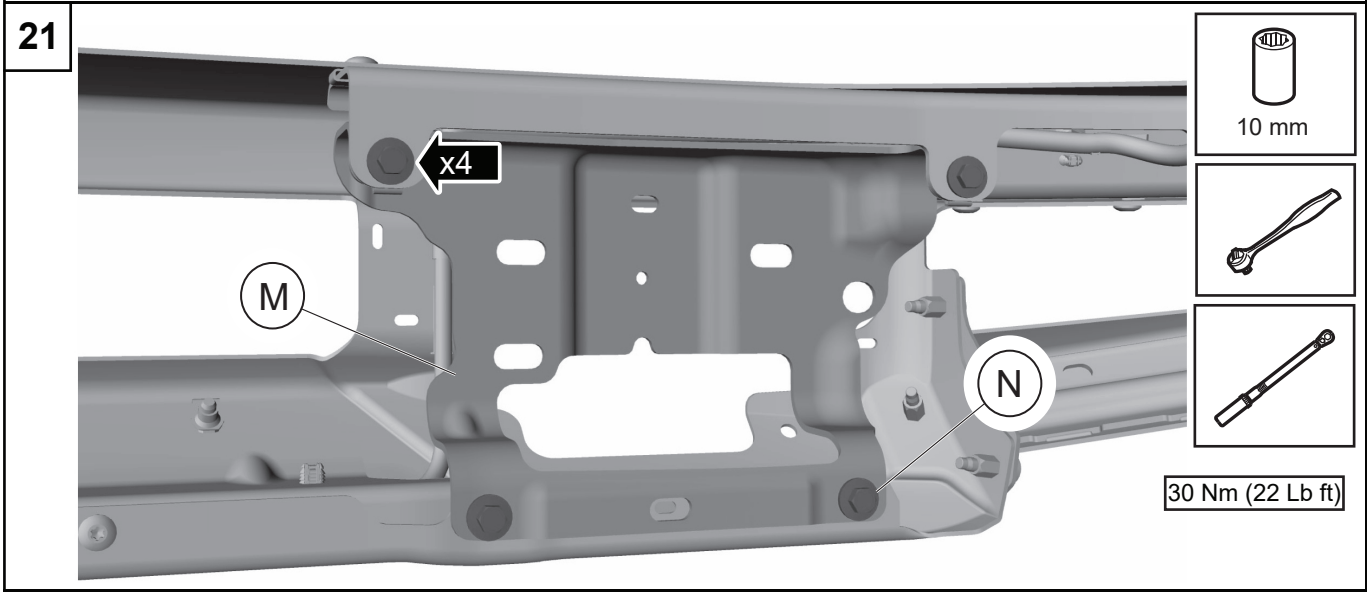
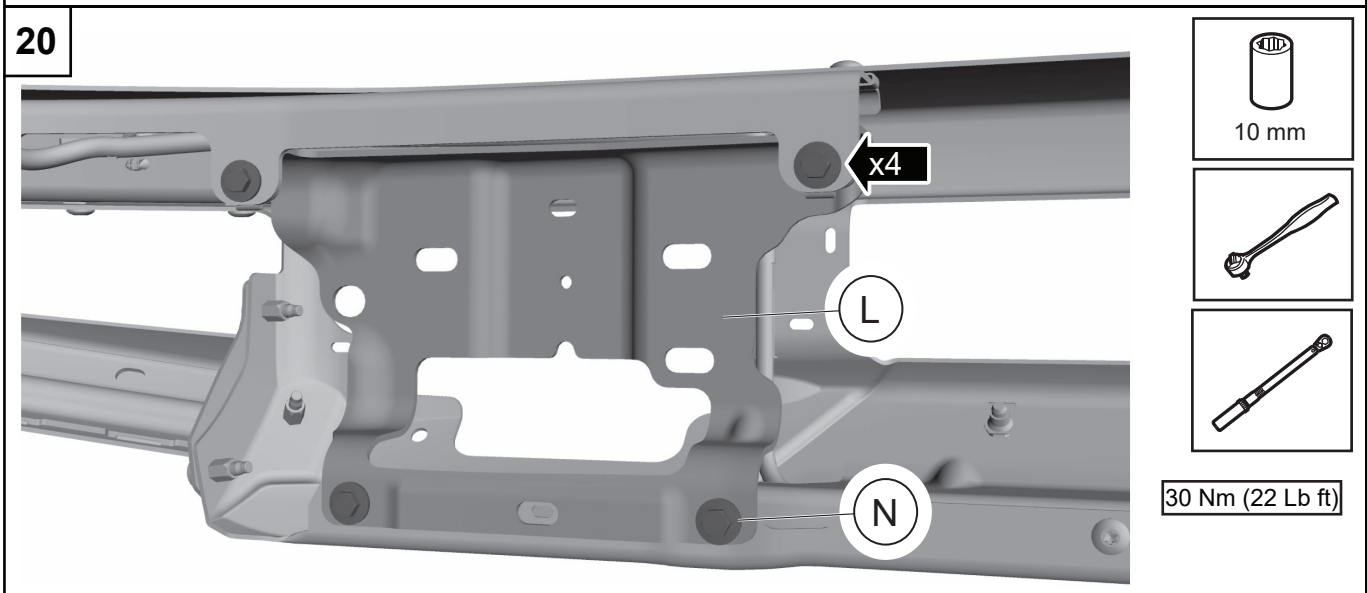
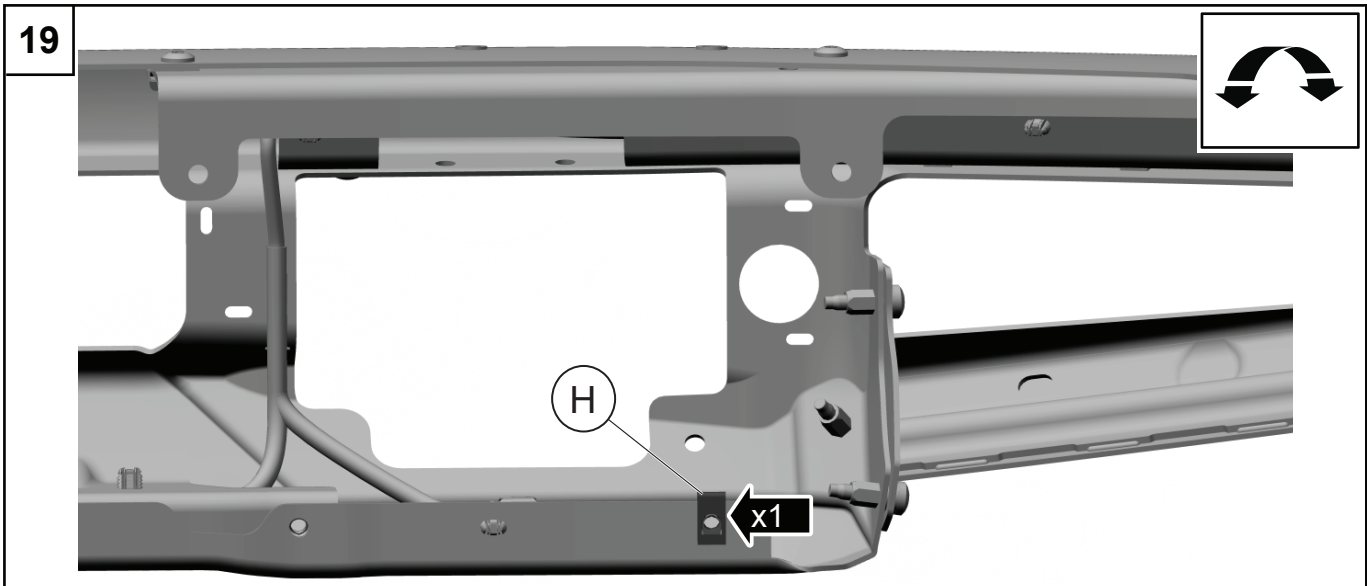
17



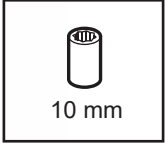
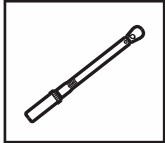
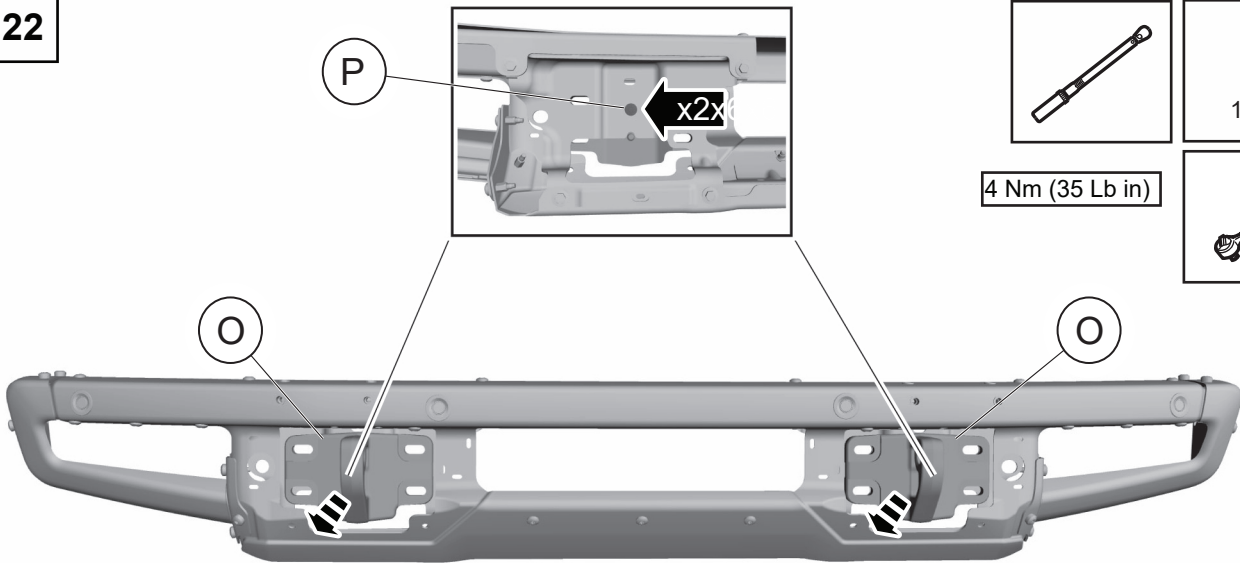
25 Nm (18 Lb ft)

18

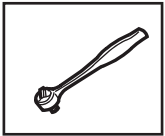




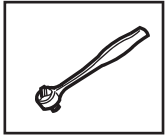
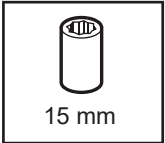
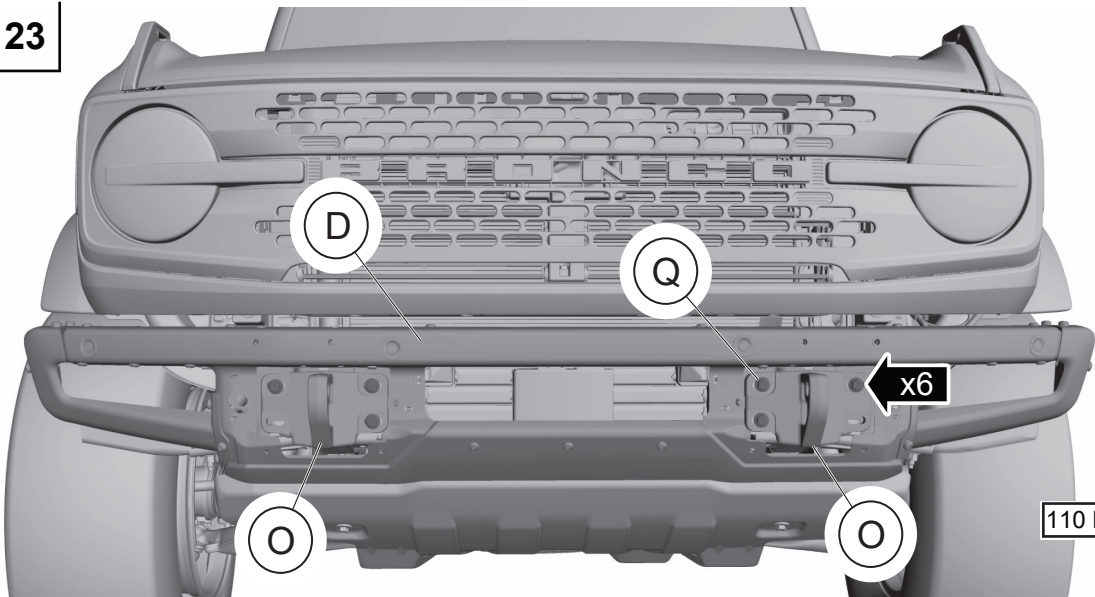
22



4 Nm (35 Lb in)



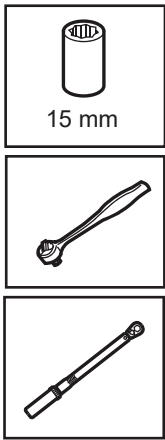
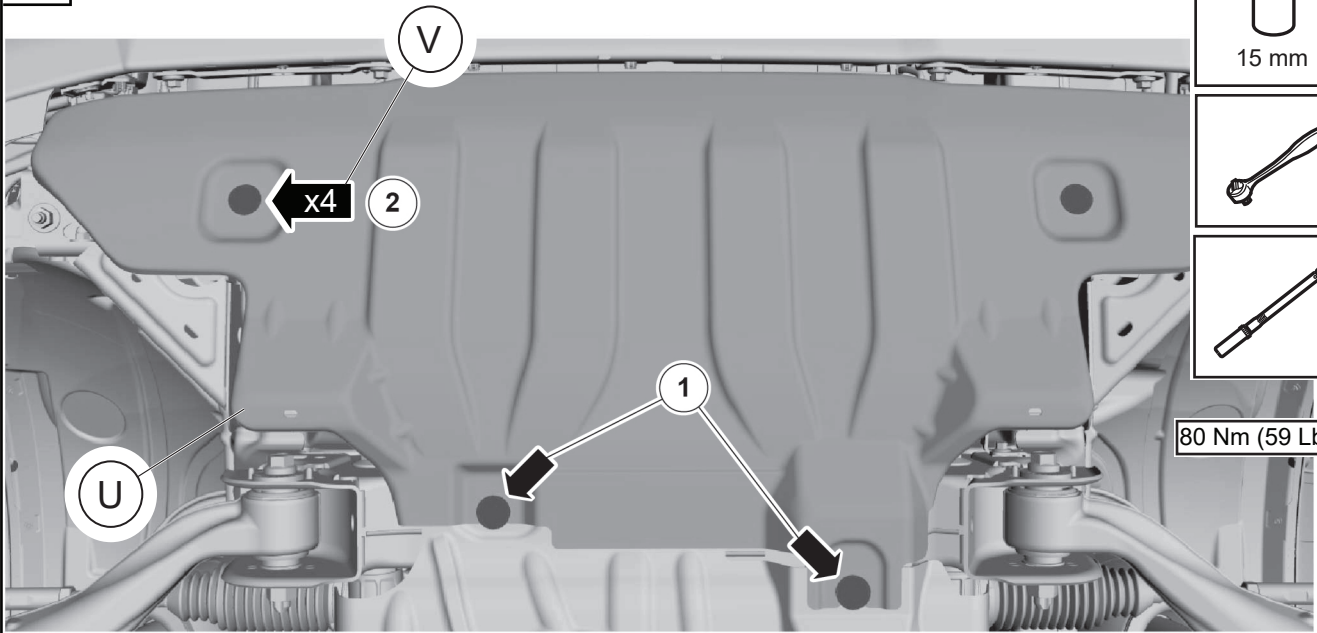
23



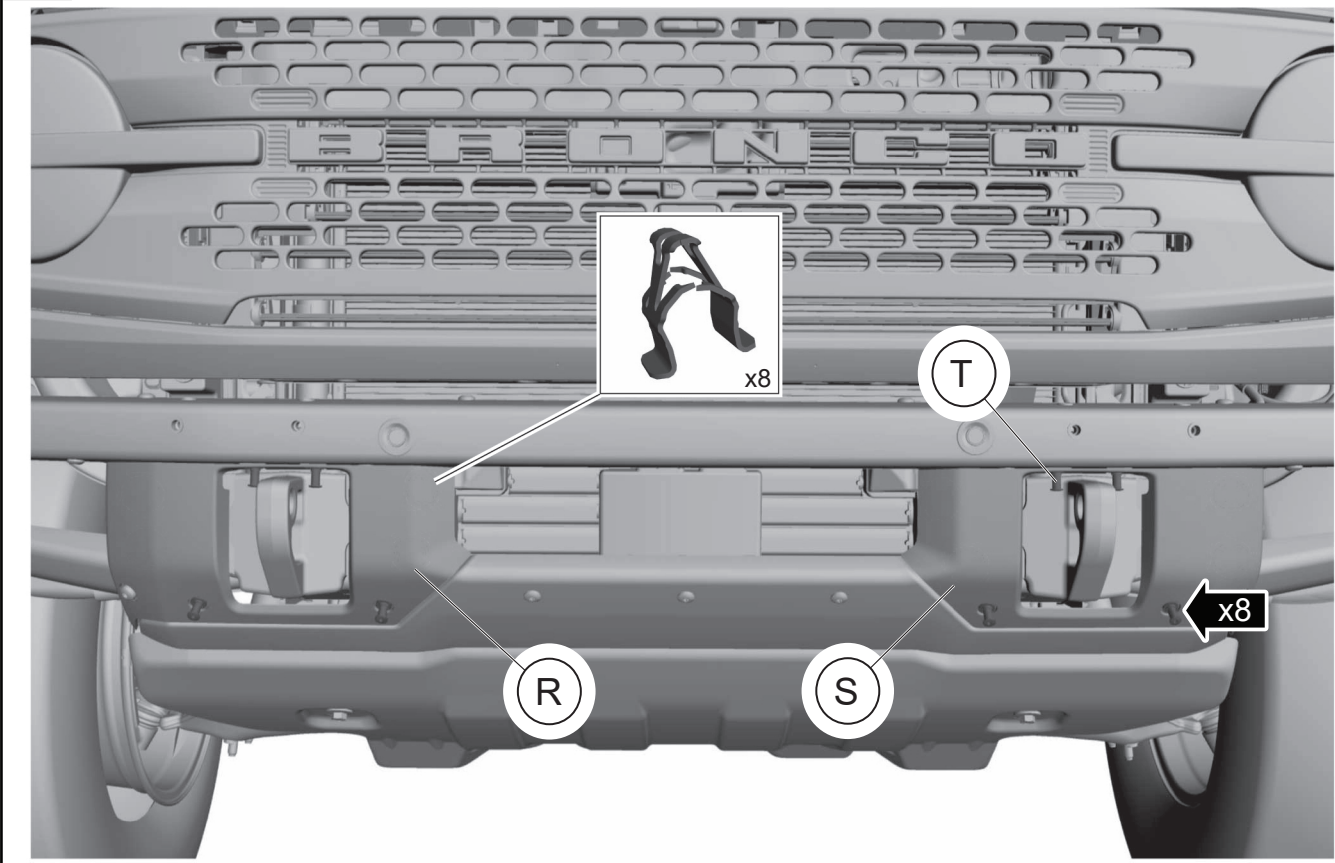
110 Nm (81 Lb ft)



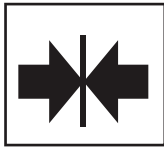
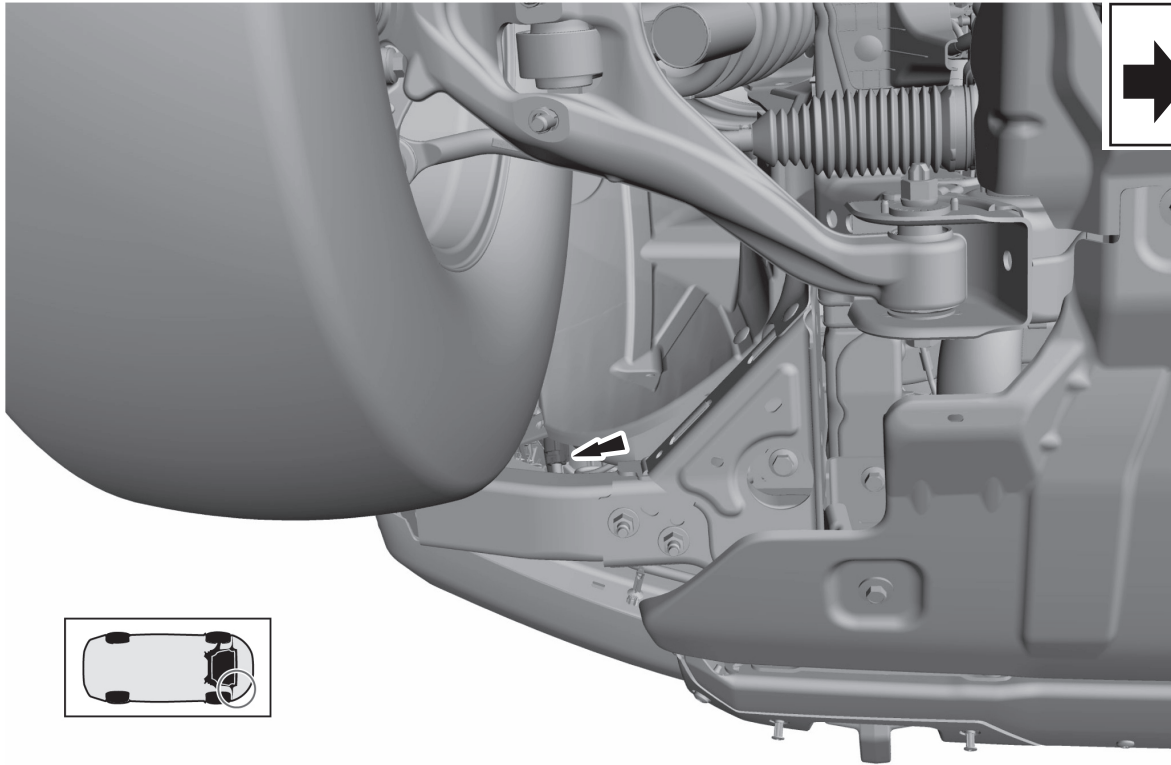
24



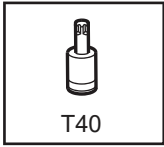
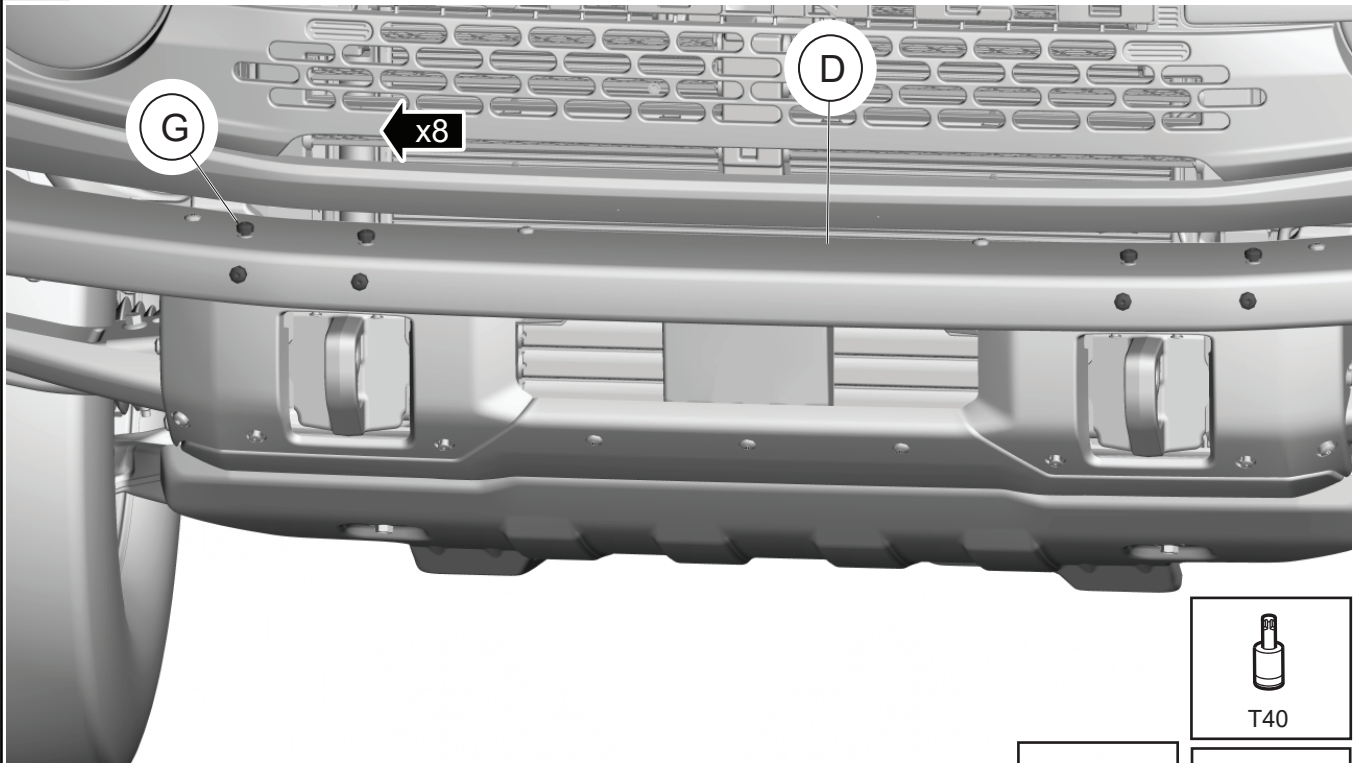
25



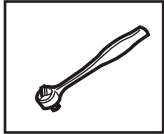
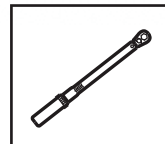
26



27



25 Nm (18 Lb ft)

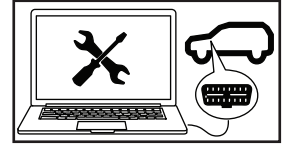




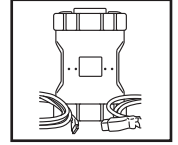
(EN) 1. Perform the Azmith System Check.

2. Perform the Elevation System Check.

NOTE: Follow the FDRS instructions Front Bumper Configuration, under programmable features.



The passwords for the part numbers are:



Front Bumper Configuration	Password
Blow Molded to Modular Front Bumper	M2DB-17757-M
Modular to Blow Molded Front Bumper	M2DZ-17D957
Steel to Modular Front Bumper	M2DB-17757-M
Modular to Steel Front Bumper	M2DB-17757-S