



FORD PERFORMANCE

M-1447-F15BC
2018-2020MY F-150
Black Ovals With Camera Provision Kit

NO PART OF THIS DOCUMENT MAY BE REPRODUCED WITHOUT PRIOR AGREEMENT AND WRITTEN PERMISSION OF
FORD PERFORMANCE PARTS © Ford Motor Company 2020

PRIOR TO INSTALLATION READ THESE INSTRUCTION COMPETELY
For questions, Call the FORD PERFORMANCE Techline 1-800-367-3788

Please visit <https://www.performanceparts.ford.com> for warranty information



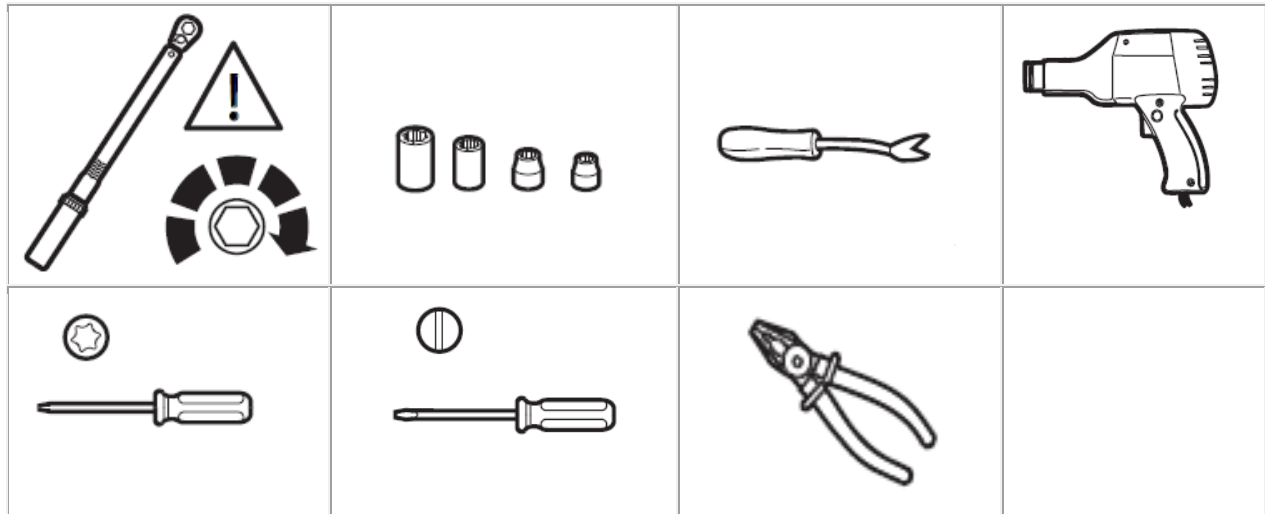
Ford Factory Shop Manual purchase options www.motorcraftservice.com

NO PART OF THIS DOCUMENT MAY BE REPRODUCED WITHOUT PRIOR AGREEMENT AND WRITTEN PERMISSION OF FORD PERFORMANCE PARTS © Ford Motor Company 2020

Kit contents:

Description	Quantity
FPP F-150 Black Pack Oval (Grille)	1
FPP F-150 Black Pack Oval (Tailgate)	1

Special Tool(s) / General Equipment




Ford Factory Shop Manual purchase options www.motorcraftservice.com

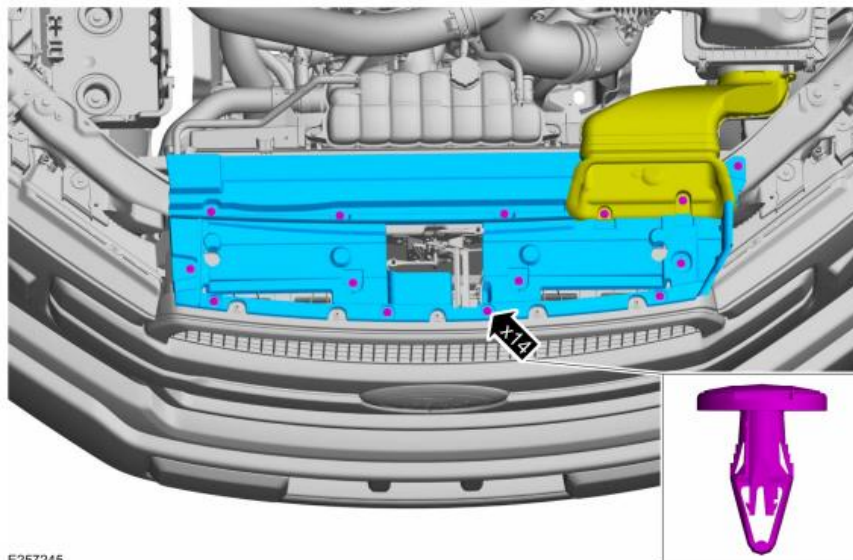
NO PART OF THIS DOCUMENT MAY BE REPRODUCED WITHOUT PRIOR AGREEMENT AND WRITTEN PERMISSION OF FORD PERFORMANCE PARTS © Ford Motor Company 2020

Removal – Grille Oval

NOTE: Removal steps in this procedure may contain installation details.

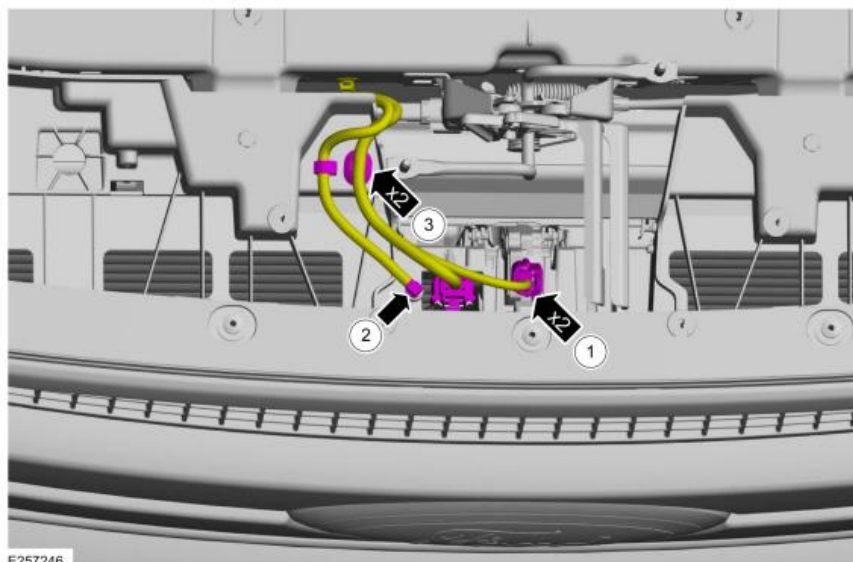
 Extreme cold weather will cause breakage. A hair dryer can be used to localize warmth before flexing release tabs.

1. Remove the push pin retainers, position aside the air intake duct, and remove the air deflector.



E257245

2. **NOTE:** As equipped. Disconnect the electrical connectors and washer hose.



E257246

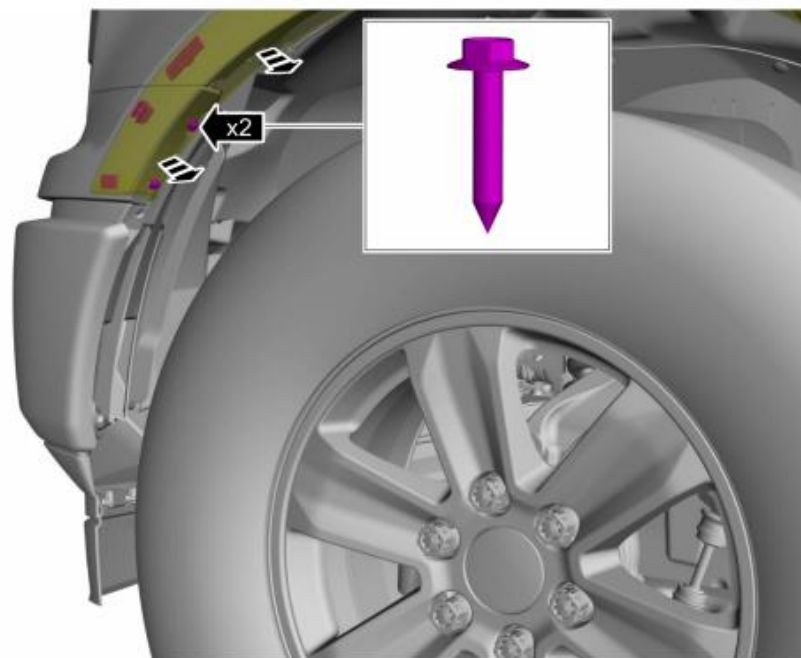
Ford Factory Shop Manual purchase options www.motorcraftservice.com

NO PART OF THIS DOCUMENT MAY BE REPRODUCED WITHOUT PRIOR AGREEMENT AND WRITTEN PERMISSION OF FORD PERFORMANCE PARTS © Ford Motor Company 2020

3. Raise the vehicle on a hoist.
Refer to: Jacking and Lifting - Overview (100-02 Jacking and Lifting, Description and Operation).
4. **NOTE:** *Vehicles equipped with fender mouldings.*

On both sides.

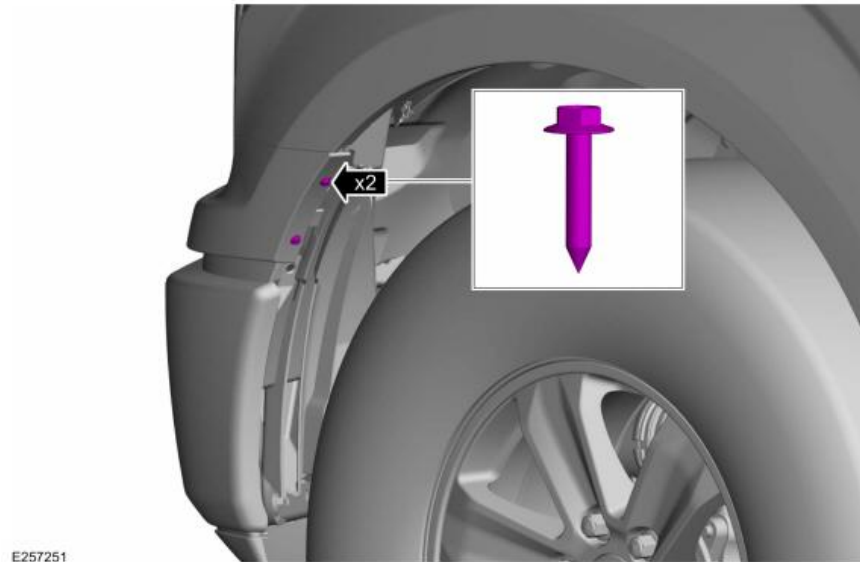
Remove the 2 screws and release the 3 front fender moulding retainers and position the fender moulding out.
Torque: 22 lb.in (2.5 Nm)



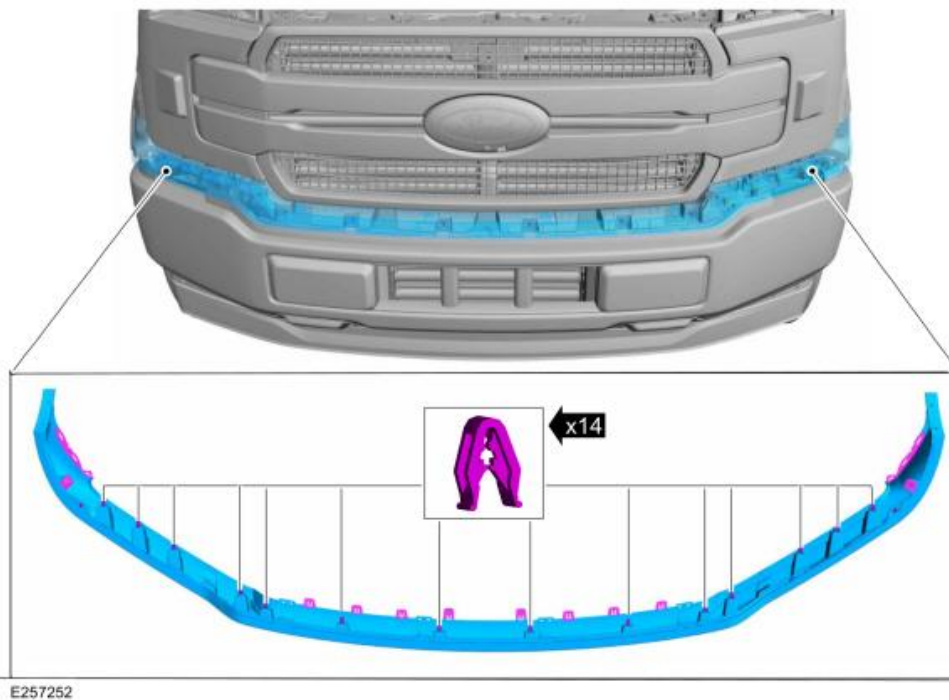
E257247

NO PART OF THIS DOCUMENT MAY BE REPRODUCED WITHOUT PRIOR AGREEMENT AND WRITTEN PERMISSION OF FORD PERFORMANCE PARTS © Ford Motor Company 2020

5. **NOTE:** On both sides, remove the front bumper upper cover trim panel bolts. *Torque:* 22 lb.in (2.5 Nm)



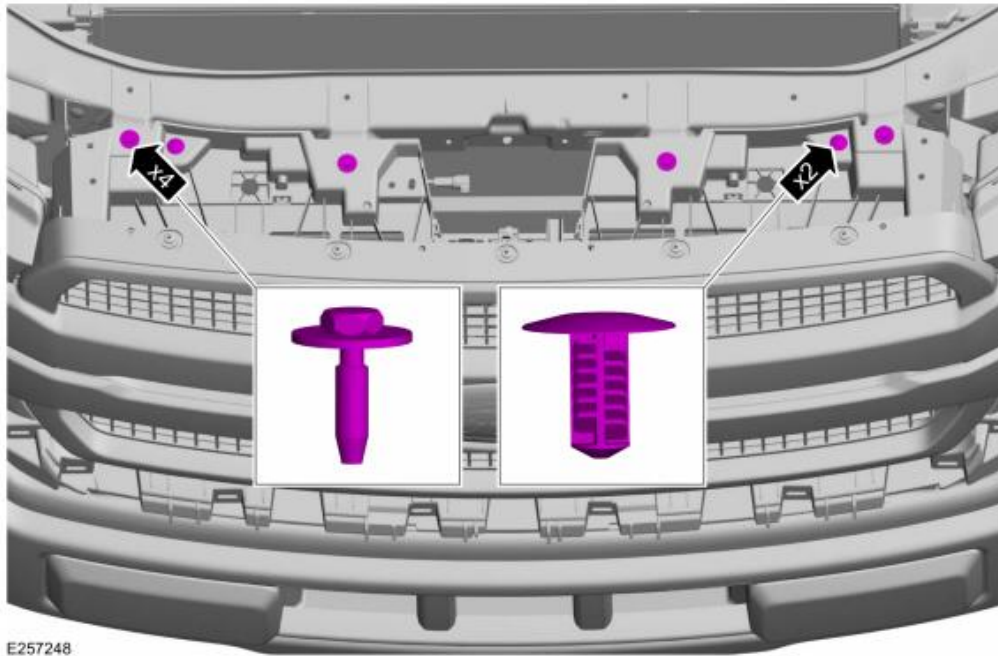
6. Remove the front bumper upper cover trim panel.
- Using a flat-blade screwdriver release the locking tabs
 - Release the front bumper upper cover trim panel clips and remove the front bumper upper cover trim panel.



Ford Factory Shop Manual purchase options www.motorcraftservice.com

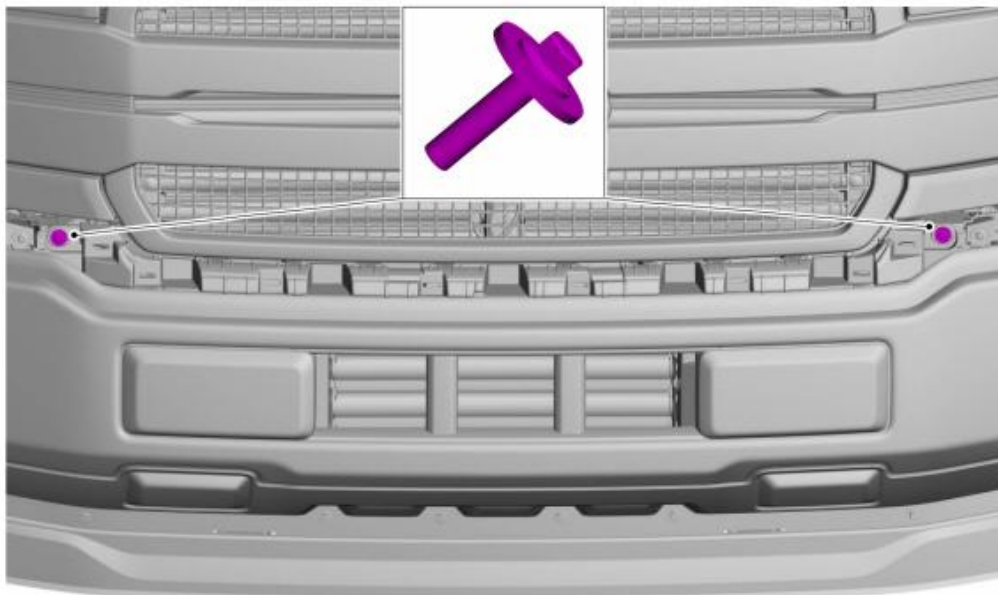
NO PART OF THIS DOCUMENT MAY BE REPRODUCED WITHOUT PRIOR AGREEMENT AND WRITTEN PERMISSION OF FORD PERFORMANCE PARTS © Ford Motor Company 2020

7. Remove the bolts and the pin-type retainer. *Torque*: 28 lb.in (3.2 Nm)



E257248

8. Remove the active grille shutter mounting bolts. *Torque*: 159 lb.in (18 Nm)

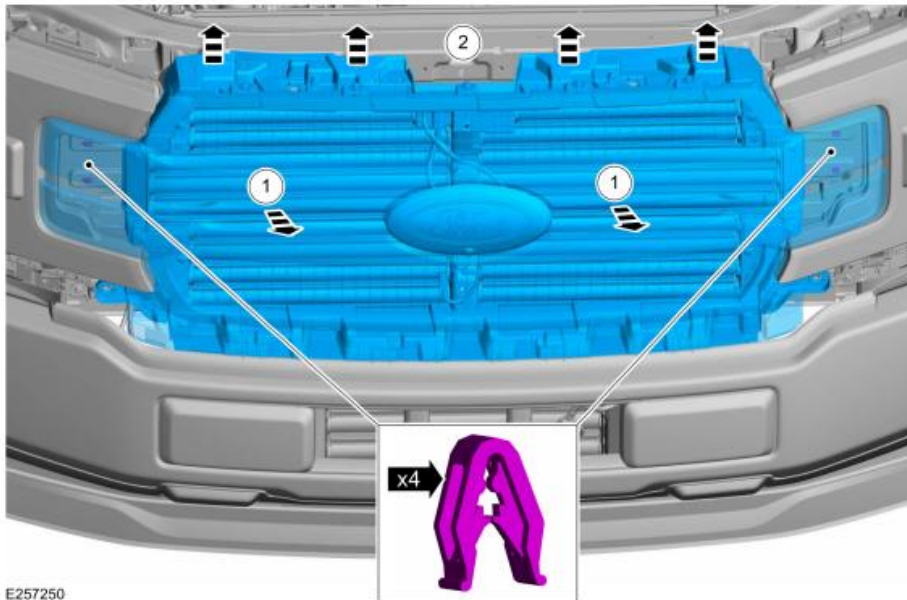


E257249

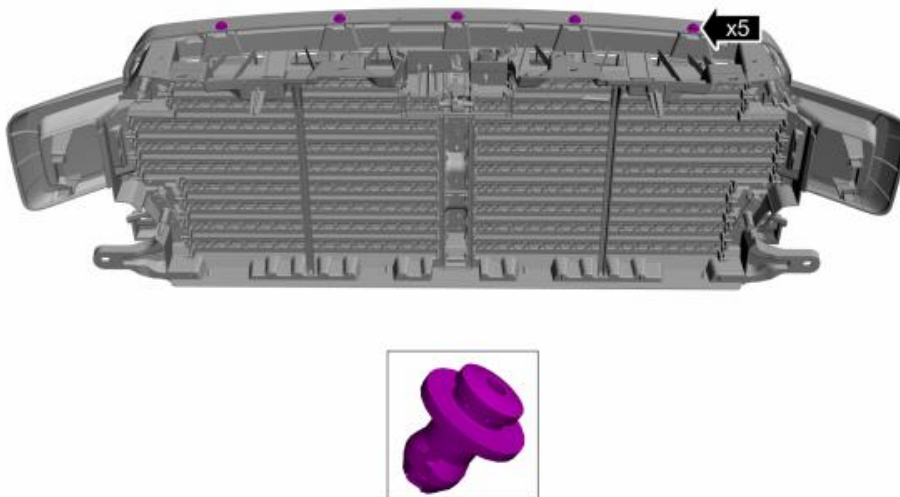
Ford Factory Shop Manual purchase options www.motorcraftservice.com

NO PART OF THIS DOCUMENT MAY BE REPRODUCED WITHOUT PRIOR AGREEMENT AND WRITTEN PERMISSION OF FORD PERFORMANCE PARTS © Ford Motor Company 2020

- 9.
- Remove the pin-type retainer.
 - Pull up to disengage the locating pins along the top of the grille.
 - Pull forward on center of the grill to remove.



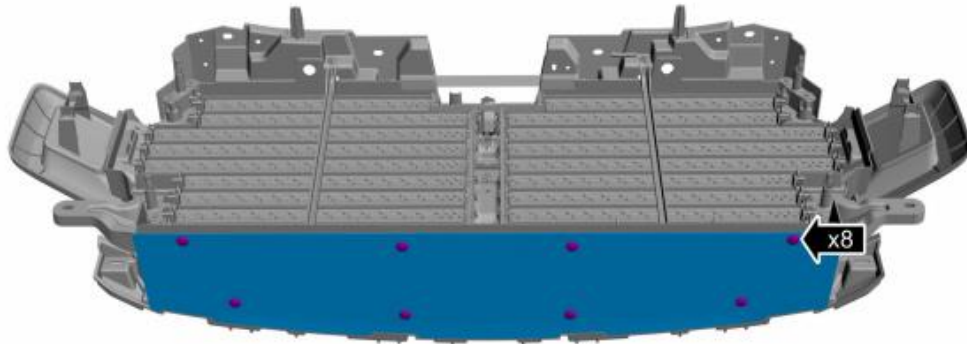
10. Remove the push pins.



Ford Factory Shop Manual purchase options www.motorcraftservice.com

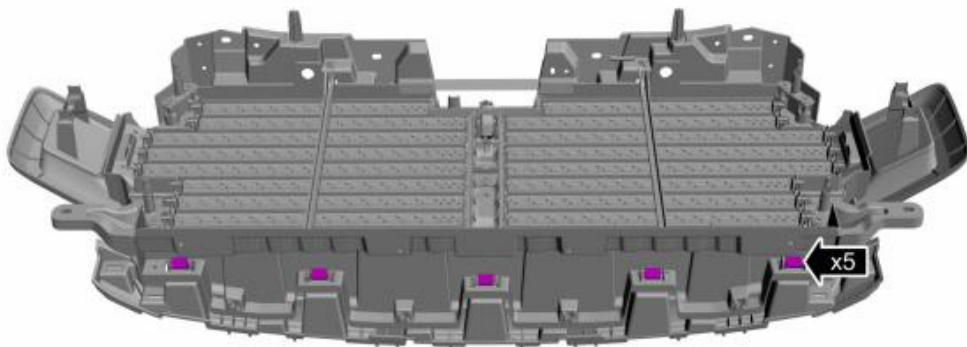
NO PART OF THIS DOCUMENT MAY BE REPRODUCED WITHOUT PRIOR AGREEMENT AND WRITTEN PERMISSION OF FORD PERFORMANCE PARTS © Ford Motor Company 2020

11. Remove the retainers and the deflector.



E261740

12. Remove the clips.

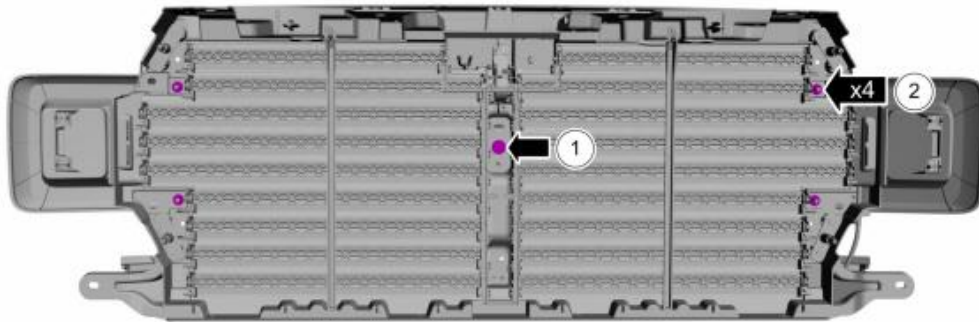


E259403

Ford Factory Shop Manual purchase options www.motorcraftservice.com

NO PART OF THIS DOCUMENT MAY BE REPRODUCED WITHOUT PRIOR AGREEMENT AND WRITTEN PERMISSION OF FORD PERFORMANCE PARTS © Ford Motor Company 2020

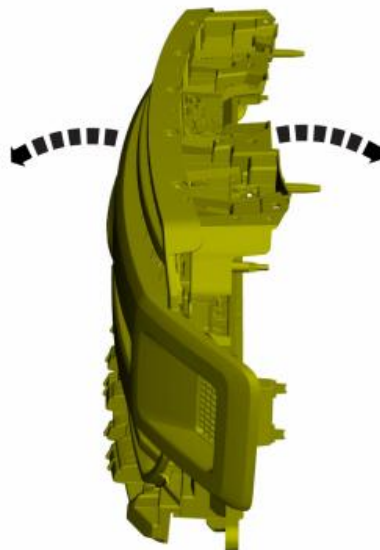
13. Remove the screw and the nuts. *Torque:* 1: 22 lb.in (2.5 Nm) 2: 44 lb.in (5 Nm)



E259404

14. **NOTE:** *If equipped with front camera, disconnect the camera and the washer hose.*

Separate the active grille shutter from the radiator grille.

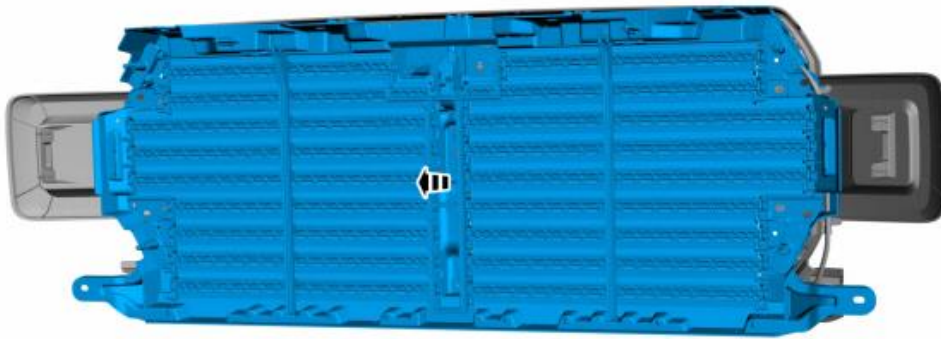


E259405

Ford Factory Shop Manual purchase options www.motorcraftservice.com

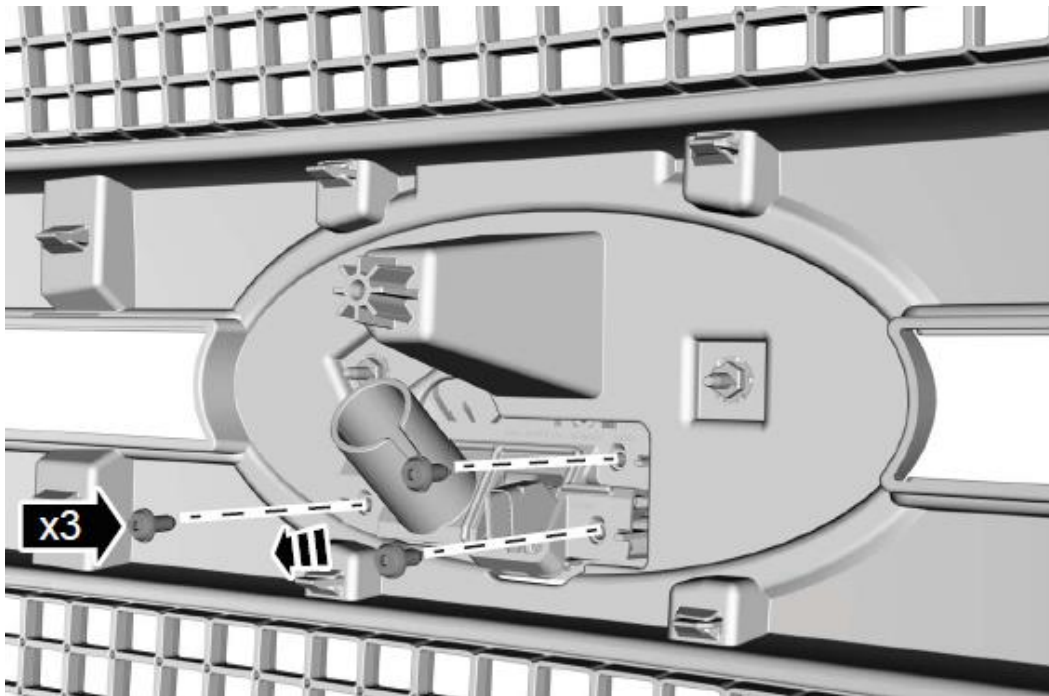
NO PART OF THIS DOCUMENT MAY BE REPRODUCED WITHOUT PRIOR AGREEMENT AND WRITTEN PERMISSION OF FORD PERFORMANCE PARTS © Ford Motor Company 2020

15. Remove the upper active grille shutter.



E259406

16. Remove screws from the camera bracket.



Ford Factory Shop Manual purchase options www.motorcraftservice.com

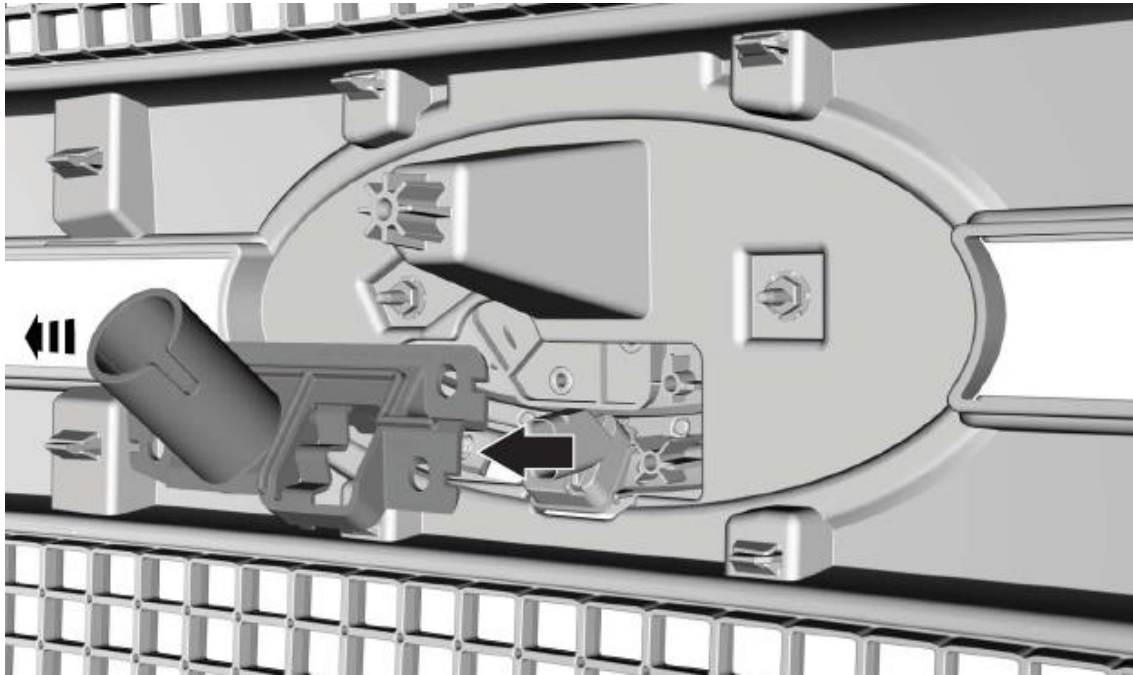


FORD PERFORMANCE

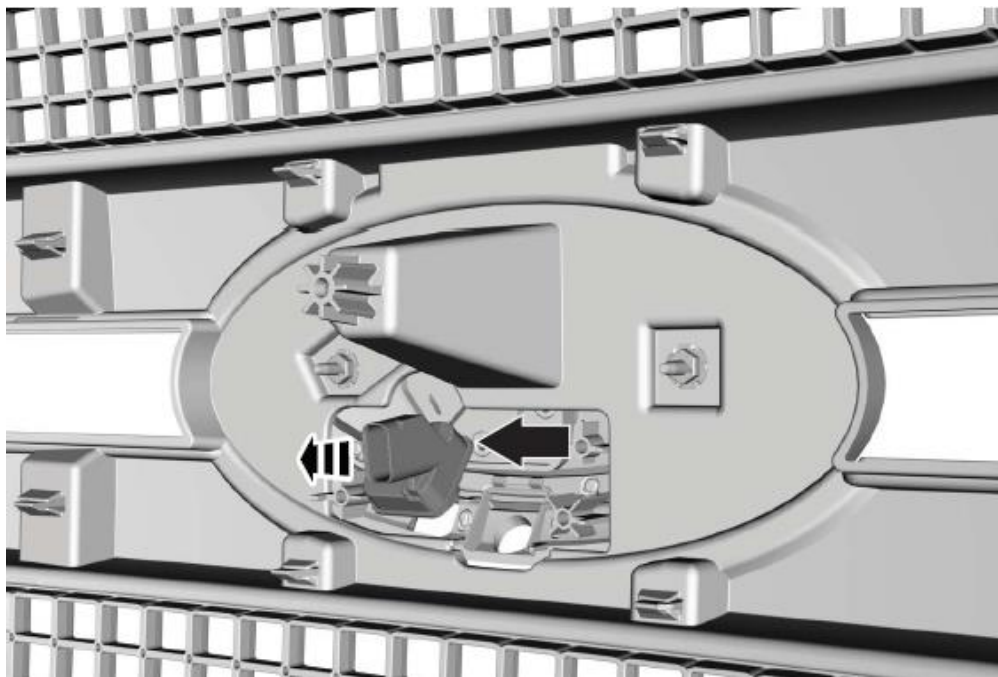
M-1447-F15BC
2018-2020MY F-150
Black Ovals With Camera Provision Kit

NO PART OF THIS DOCUMENT MAY BE REPRODUCED WITHOUT PRIOR AGREEMENT AND WRITTEN PERMISSION OF FORD PERFORMANCE PARTS © Ford Motor Company 2020

17. Remove the front parking aid camera bracket from the grille.



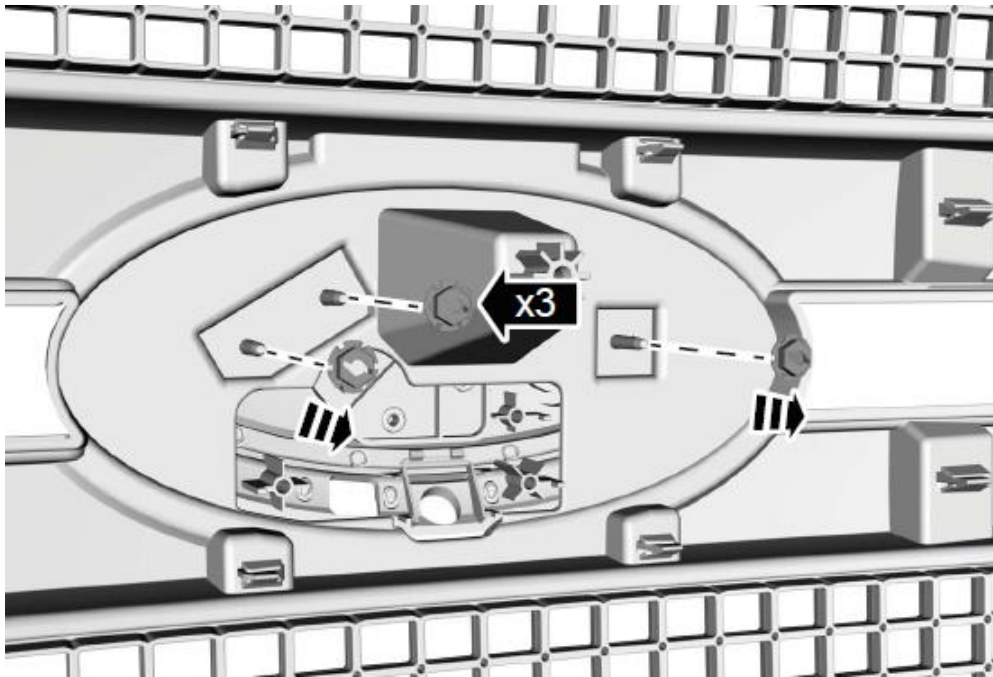
18. Remove the front park aid camera from the grille.



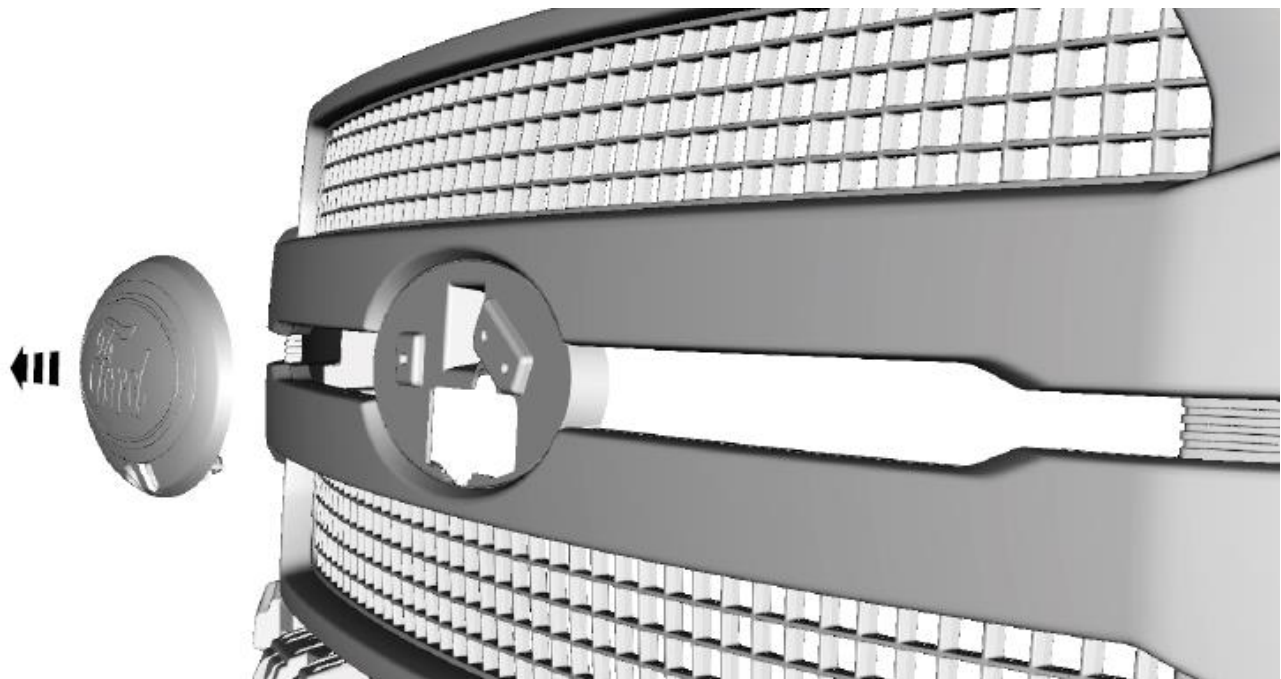
Ford Factory Shop Manual purchase options www.motorcraftservice.com

NO PART OF THIS DOCUMENT MAY BE REPRODUCED WITHOUT PRIOR AGREEMENT AND WRITTEN PERMISSION OF FORD PERFORMANCE PARTS © Ford Motor Company 2020

19. Remove screws from the oval.



20. Remove oval.



Ford Factory Shop Manual purchase options www.motorcraftservice.com

NO PART OF THIS DOCUMENT MAY BE REPRODUCED WITHOUT PRIOR AGREEMENT AND WRITTEN PERMISSION OF FORD PERFORMANCE PARTS © Ford Motor Company 2020

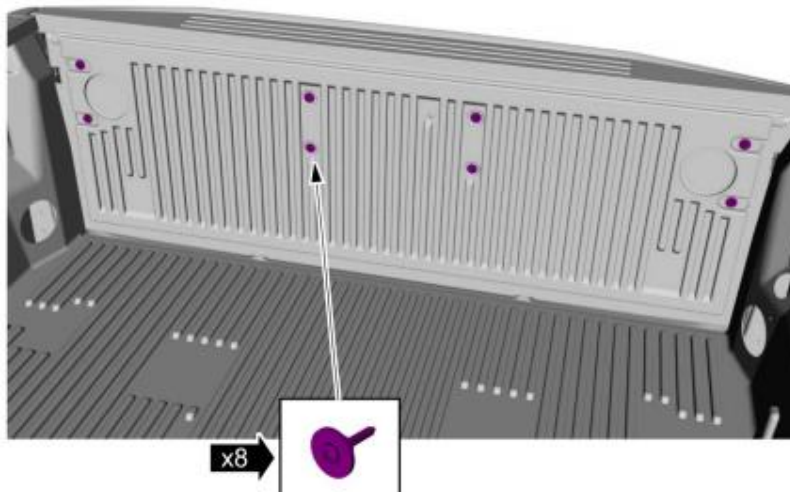
Installation – Grille Oval

1. To install, reverse the removal procedure.

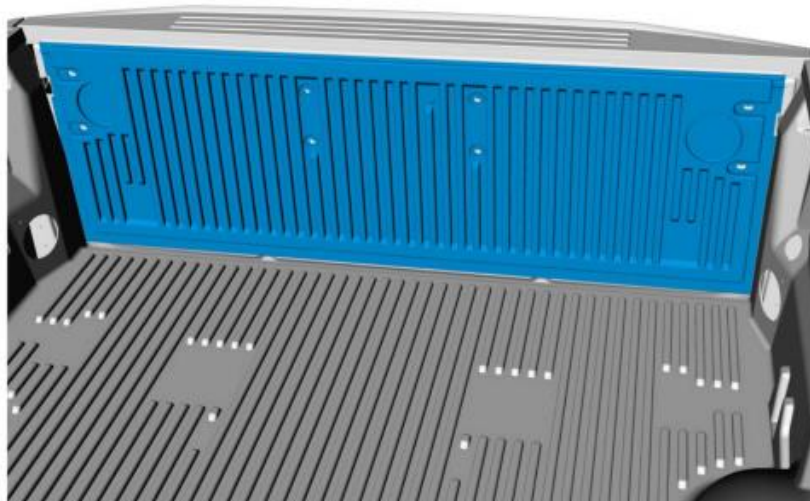
Removal – Tailgate Oval

NOTE: Removal steps in this procedure may contain installation details.

1. Remove the screws from the tailgate liner. *Torque:* 28 lb.in (3.2 Nm)



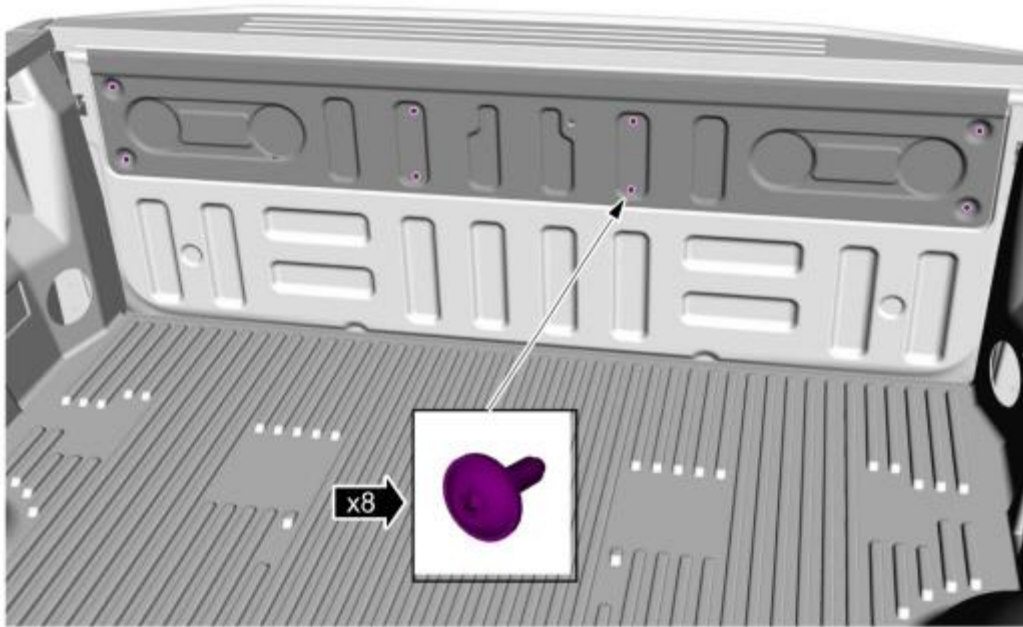
2. Remove the tailgate liner.



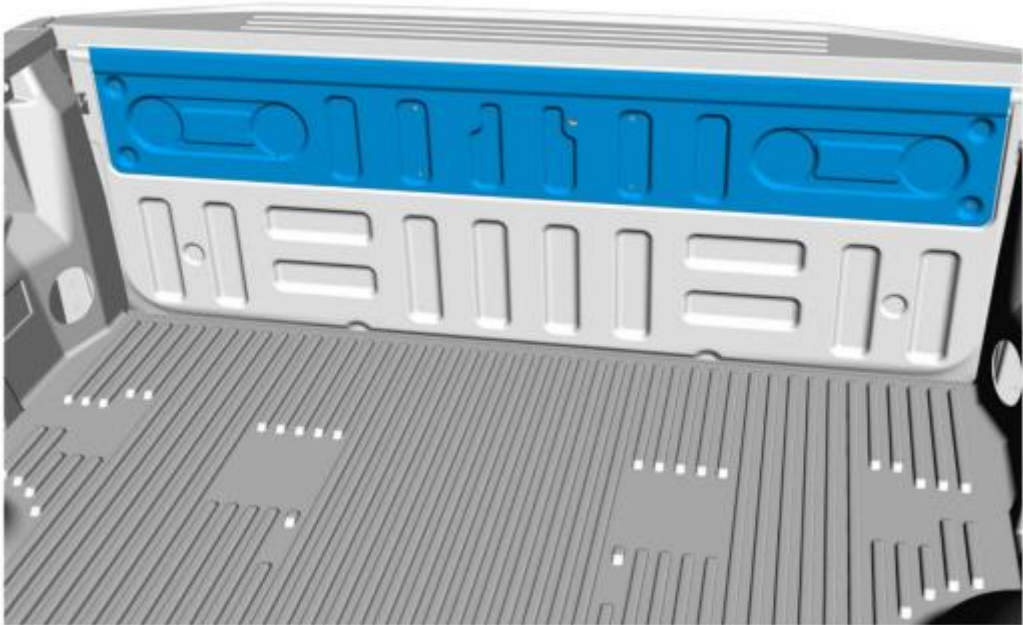
Ford Factory Shop Manual purchase options www.motorcraftservice.com

NO PART OF THIS DOCUMENT MAY BE REPRODUCED WITHOUT PRIOR AGREEMENT AND WRITTEN PERMISSION OF FORD PERFORMANCE PARTS © Ford Motor Company 2020

3. Remove the screws from the inner panel. *Torque: 28 lb.in (3.2 Nm)*



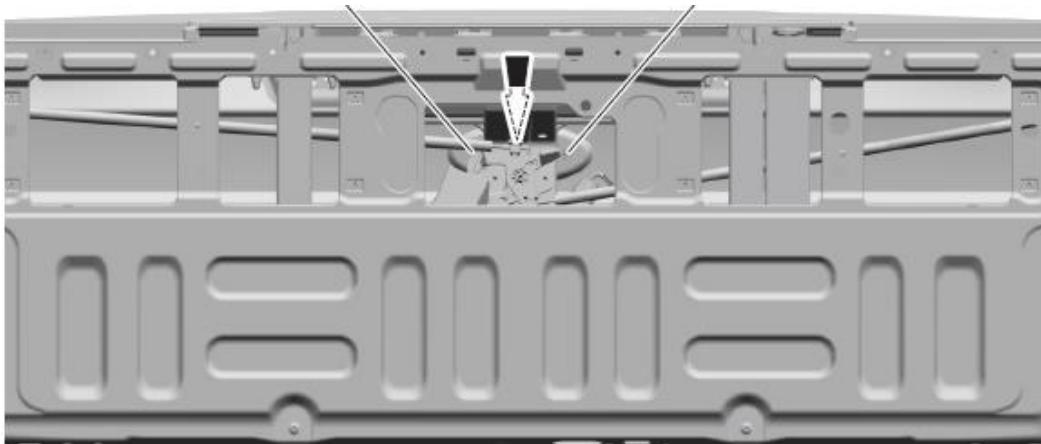
4. Remove the inner panel.



Ford Factory Shop Manual purchase options www.motorcraftservice.com

NO PART OF THIS DOCUMENT MAY BE REPRODUCED WITHOUT PRIOR AGREEMENT AND WRITTEN PERMISSION OF FORD PERFORMANCE PARTS © Ford Motor Company 2020

5. Use pliers to undo clips on the rear of the oval and remove from the tailgate.

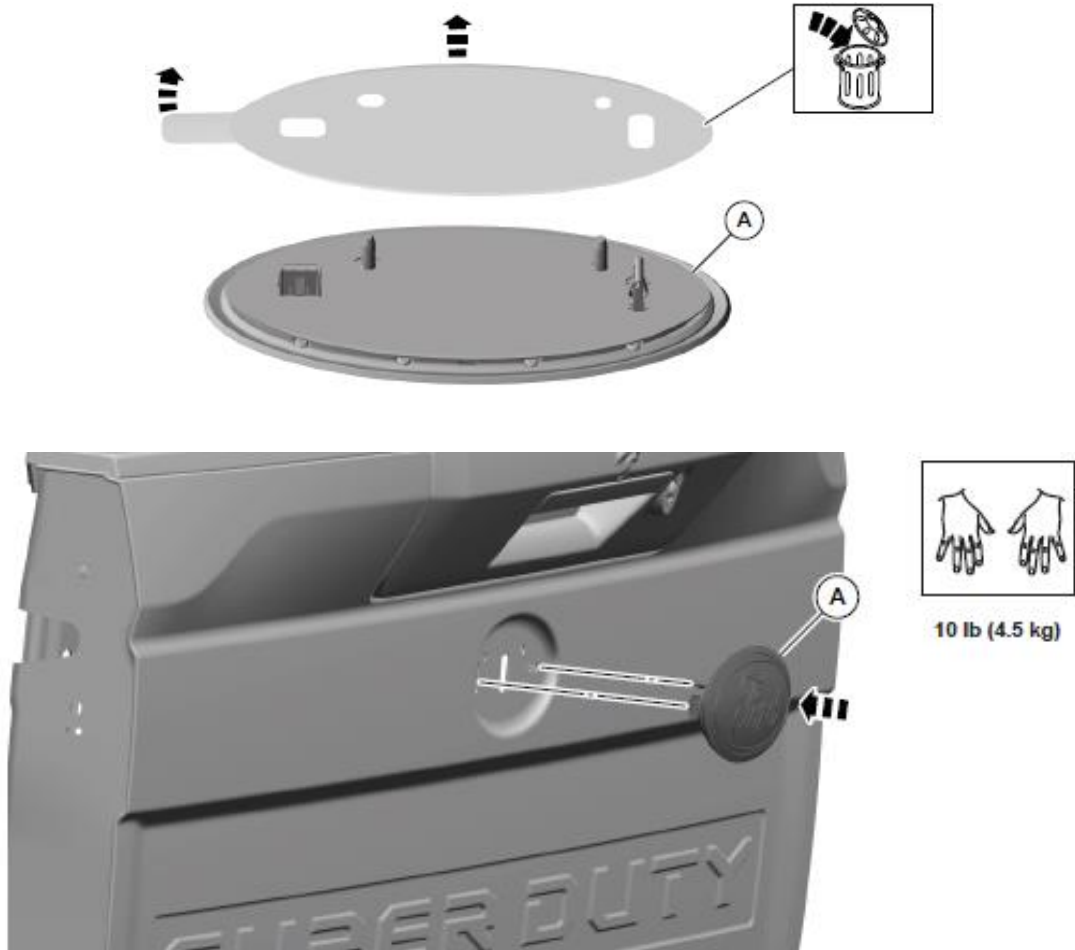


Ford Factory Shop Manual purchase options www.motorcraftservice.com

NO PART OF THIS DOCUMENT MAY BE REPRODUCED WITHOUT PRIOR AGREEMENT AND WRITTEN PERMISSION OF FORD PERFORMANCE PARTS © Ford Motor Company 2020

Installation – Tailgate Oval

1. To install the new oval, remove the adhesive backing and firmly press onto the tailgate.



Ford Factory Shop Manual purchase options www.motorcraftservice.com