



FORD PERFORMANCE

Part Number: M-7210-FST
Part Description: Focus ST Short Throw Shifter
INSTALLATION INSTRUCTIONS

NO PART OF THIS DOCUMENT MAY BE REPRODUCED WITHOUT PRIOR AGREEMENT AND WRITTEN PERMISSION OF FORD PERFORMANCE PARTS.

Please visit www.fordracingparts.com for the most current instruction information

**!!! PLEASE READ ALL OF THE FOLLOWING INSTRUCTIONS CAREFULLY PRIOR TO INSTALLATION.
AT ANY TIME YOU DO NOT UNDERSTAND THE INSTRUCTIONS, PLEASE CALL THE FORD PERFORMANCE
TECHLINE AT 1-800-367-3788**

NOTE: *Procedure best done in warm environment to avoid fracturing interior trim panels.*

KIT INCLUDES:

<u>Item #</u>	<u>Description</u>	<u>Qty:</u>
M-7210-FST	Short Throw Shifter	1



Factory Ford shop manuals are available from Helm Publications, 1-800-782-4356



FORD PERFORMANCE

Part Number: M-7210-FST
Part Description: Focus ST Short Throw Shifter
INSTALLATION INSTRUCTIONS

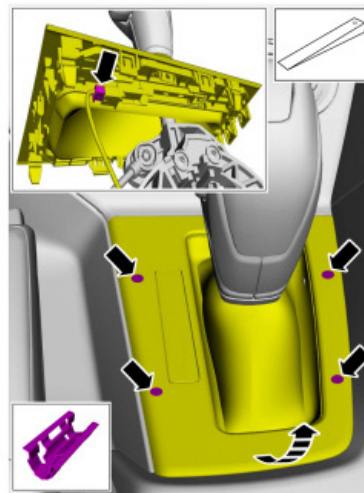
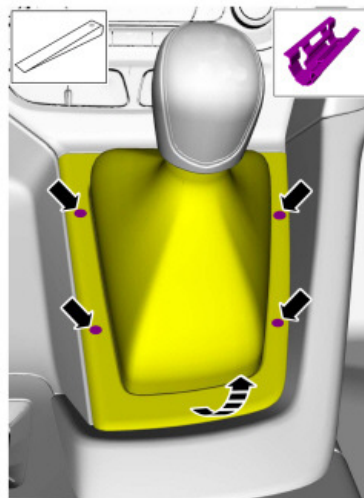
NO PART OF THIS DOCUMENT MAY BE REPRODUCED WITHOUT PRIOR AGREEMENT AND WRITTEN PERMISSION OF FORD PERFORMANCE PARTS.

Floor Console - Vehicles With: Center Armrest

Removal of Console

NOTE: *Removal steps in this procedure may contain installation details.*

STEP 1: Pull/ pry up to remove shifter boot trim ring. Remove trim ring from shifter boot. Install trim ring onto new shifter after installation is completed. (See figures below)



Factory Ford shop manuals are available from Helm Publications, 1-800-782-4356

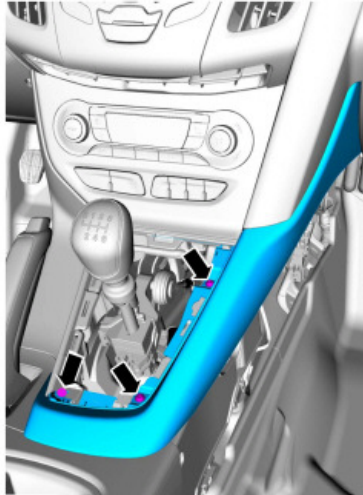


FORD PERFORMANCE

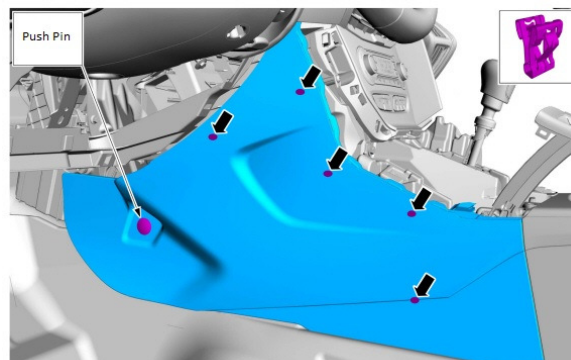
Part Number: M-7210-FST
Part Description: Focus ST Short Throw Shifter
INSTALLATION INSTRUCTIONS

NO PART OF THIS DOCUMENT MAY BE REPRODUCED WITHOUT PRIOR AGREEMENT AND WRITTEN PERMISSION OF FORD PERFORMANCE PARTS.

STEP 2: Remove 3 bolts, Lift rear of trim panel rotating it upward and out. (*Torque: 2 Nm*) (See figure below)



STEP 3: Remove push pin from left side panel. Pull on panel to release the 5 remaining attachment points. (See figure below)



Factory Ford shop manuals are available from Helm Publications, 1-800-782-4356

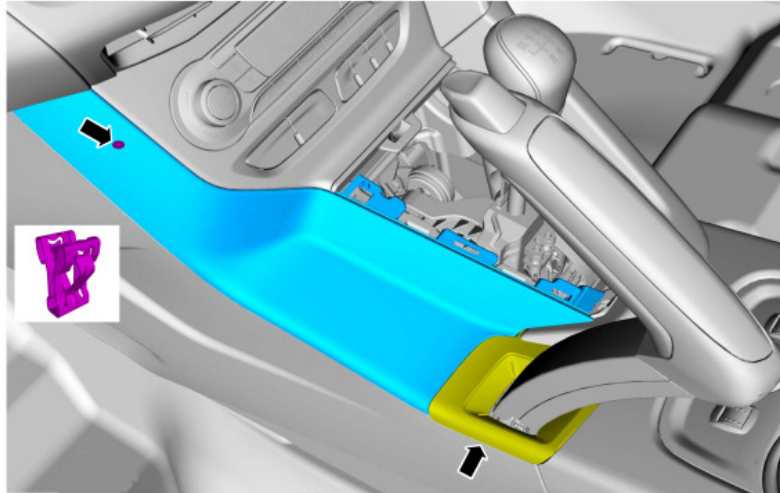


FORD PERFORMANCE

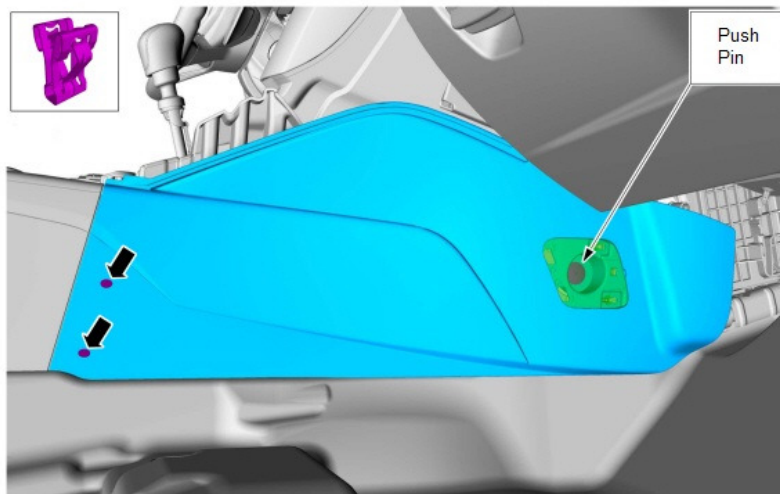
Part Number: M-7210-FST
Part Description: Focus ST Short Throw Shifter
INSTALLATION INSTRUCTIONS

NO PART OF THIS DOCUMENT MAY BE REPRODUCED WITHOUT PRIOR AGREEMENT AND WRITTEN PERMISSION OF FORD PERFORMANCE PARTS.

STEP 4: Pull up on left side panel to remove. (See figure below)



STEP 5: Remove push pin from right side panel. Pull on panel to release the 2 remaining attachment points. (See figure below)



Factory Ford shop manuals are available from Helm Publications, 1-800-782-4356

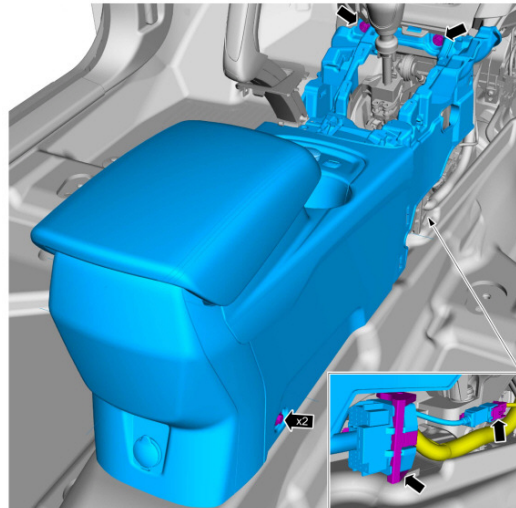


FORD PERFORMANCE

Part Number: M-7210-FST
Part Description: Focus ST Short Throw Shifter
INSTALLATION INSTRUCTIONS

NO PART OF THIS DOCUMENT MAY BE REPRODUCED WITHOUT PRIOR AGREEMENT AND WRITTEN PERMISSION OF FORD PERFORMANCE PARTS.

STEP 6: Disconnect wiring harness, remove 4 bolts and move console from vehicle. (*Torque: 4 Nm*)
(See figure below)



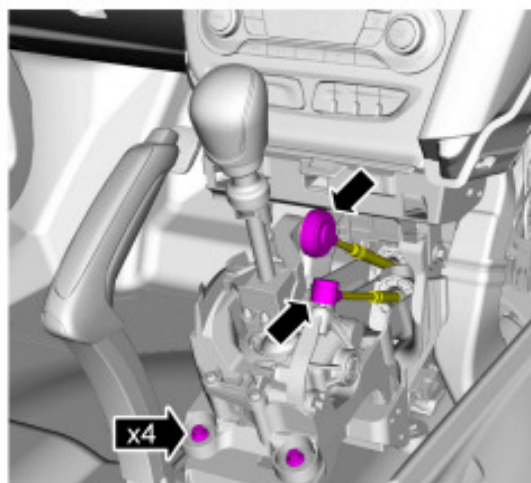
Installation of Console

STEP 1: To install, reverse the removal procedure.

Removal of Shifter

NOTE: *Removal steps in this procedure may contain installation details.*

STEP 1: Disconnect shift cables (with a trim removal tool pop off shift cables) and remove 4 bolts. (*Torque: 9 Nm*)
(See figure below)



Factory Ford shop manuals are available from Helm Publications, 1-800-782-4356

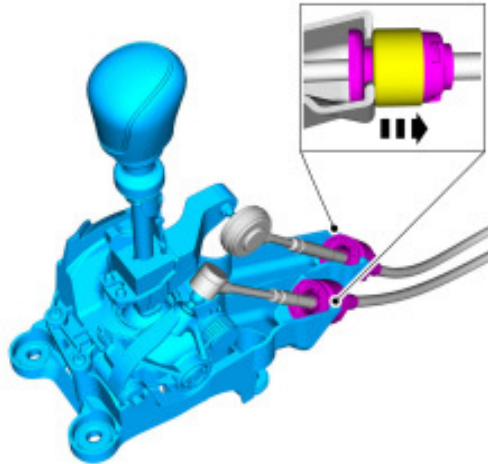


FORD PERFORMANCE

Part Number: M-7210-FST
Part Description: Focus ST Short Throw Shifter
INSTALLATION INSTRUCTIONS

NO PART OF THIS DOCUMENT MAY BE REPRODUCED WITHOUT PRIOR AGREEMENT AND WRITTEN PERMISSION OF FORD PERFORMANCE PARTS.

STEP 2: Remove lower shift cable retainers by sliding forward then lift up. (See figure below)



Installation of Shifter

STEP 1: To install, reverse the removal procedure.

NOTE: *After installing shift cables verify correct shifter operation before reinstallation of console and trim.*

Factory Ford shop manuals are available from Helm Publications, 1-800-782-4356