

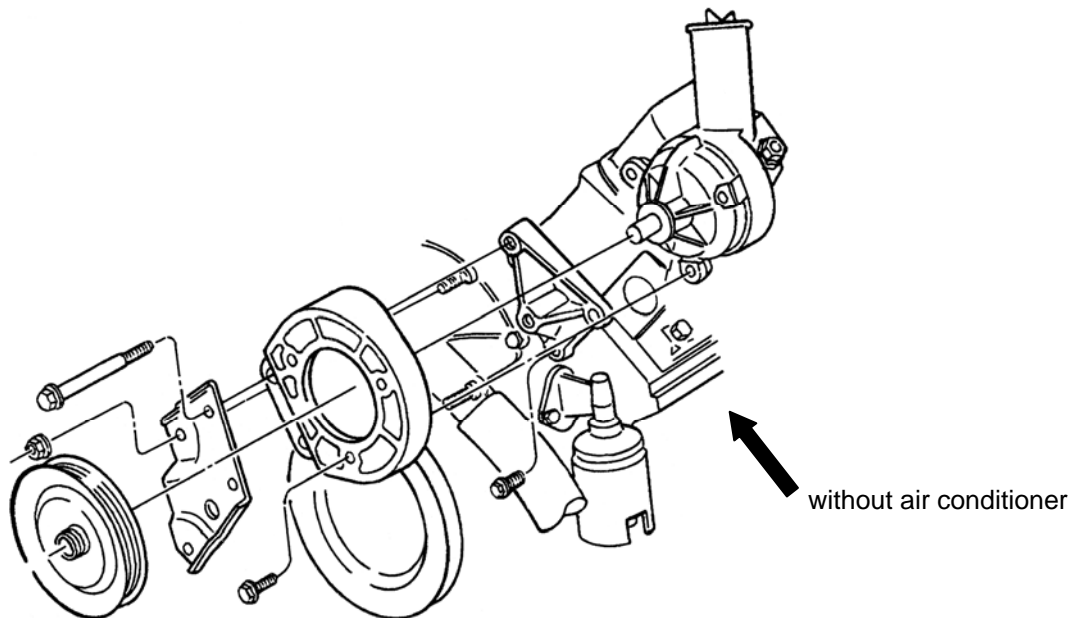
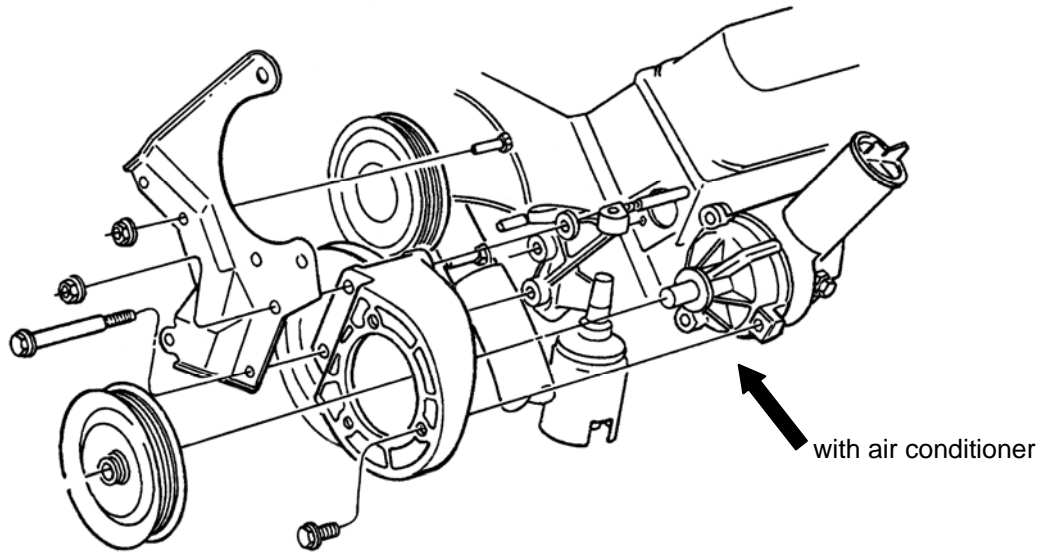


**M-8511-A50  
A/C Eliminator Kit  
INSTRUCTION SHEET**

NO PART OF THIS DOCUMENT MAY BE REPRODUCED WITHOUT PRIOR AGREEMENT AND WRITTEN PERMISSION OF FORD RACING PERFORMANCE PARTS

Please contact the Techline for the most current instruction information (800) FORD788.

**INSTALLATION INSTRUCTIONS:**



**Techline (800) FORD788**

Factory Ford shop manuals are available from Helm Publications, 1-800-782-4356