



M-6346612-A Boss 302 X-Brace w/rear seat delete kit INSTALLATION INSTRUCTIONS

NO PART OF THIS DOCUMENT MAY BE REPRODUCED WITHOUT PRIOR AGREEMENT AND WRITTEN PERMISSION OF FORD RACING PERFORMANCE PARTS.

Please visit www.fordracingparts.com for the most current instruction information

**!!! PLEASE READ ALL OF THE FOLLOWING INSTRUCTIONS CAREFULLY PRIOR TO INSTALLATION.
AT ANY TIME YOU DO NOT UNDERSTAND THE INSTRUCTIONS, PLEASE CALL THE FORD RACING
TECHLINE AT 1-800-367-3788 !!!**

OFF ROAD USE ONLY!

KIT CONTENTS:

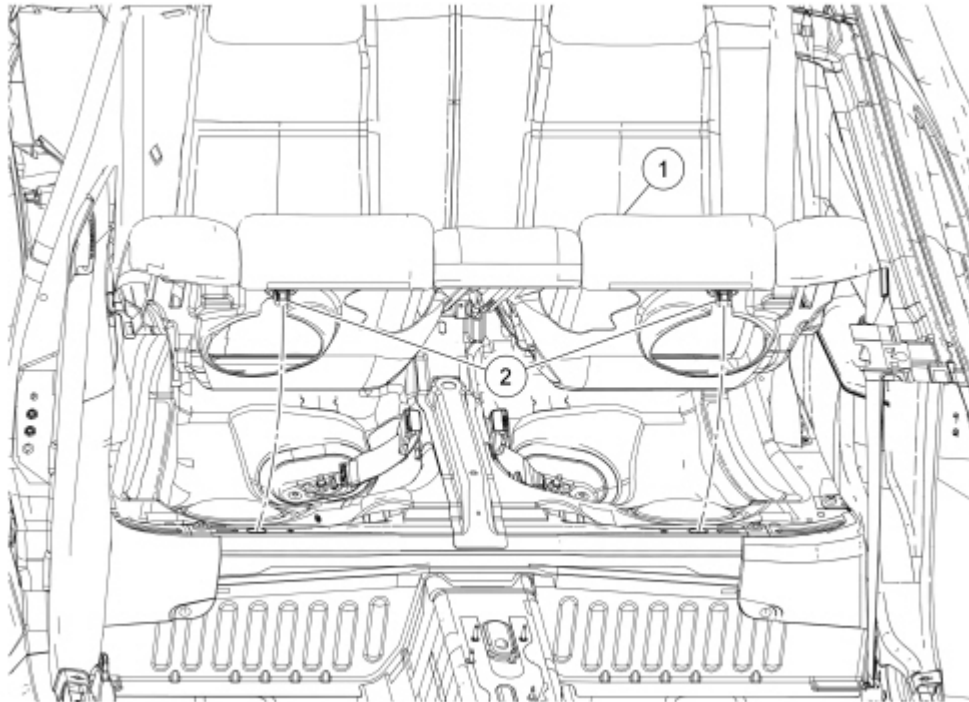
Item #	Quantity	Description
#1	1	Center Luggage Cover
#2	1	Trunk End Trim Panel
#3	1	X-Brace
#4	2	Foam blocks
#5	4	X-Brace to Package Tray upper bolts-8mm X 25mm
#6	2	Trunk End Trim Panel to body bolts - Torx™ 10mm X 30mm self-tapping
#7	2	X-Brace to body lower bolts - Torx™ 10mm X 30mm
#9	2	Center Luggage Cover to Trunk End Trim Panel fastener
#10	2	Center Luggage Cover to Trunk End Trim Panel nut clip
#11	4	Parcel Shelf to Package Tray push pins
#12	2	Center Luggage Cover to body push pins-expanding type
#13	6	Quarter Trim Panel to body push pins-6.35mm X 28.6mm
#14	2	Upper X-Brace Trim Bezels

Factory Ford shop manuals are available from Helm Publications, 1-800-782-4356

NO PART OF THIS DOCUMENT MAY BE REPRODUCED WITHOUT PRIOR AGREEMENT AND WRITTEN PERMISSION OF FORD RACING PERFORMANCE PARTS.

INTERIOR REMOVAL:

SEAT CUSHION – REAR REMOVAL



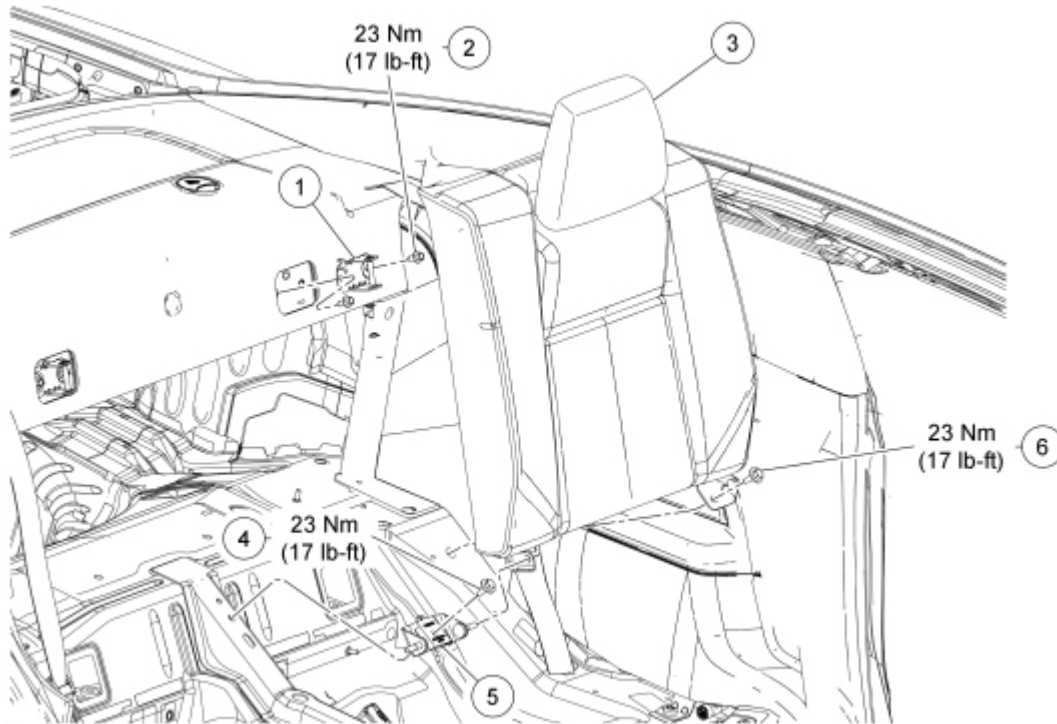
Item	Description
1	Seat cushion assembly
2	Release tabs

STEP 1: From under the front of the rear cushion assembly, push in on each of the 2 seat cushion release tabs, lift up at the front and remove the rear cushion assembly.

NO PART OF THIS DOCUMENT MAY BE REPRODUCED WITHOUT PRIOR AGREEMENT AND WRITTEN PERMISSION OF FORD RACING PERFORMANCE PARTS.

COUPE BACKREST - REMOVAL

NOTE: LH 50 percent shown, RH similar.

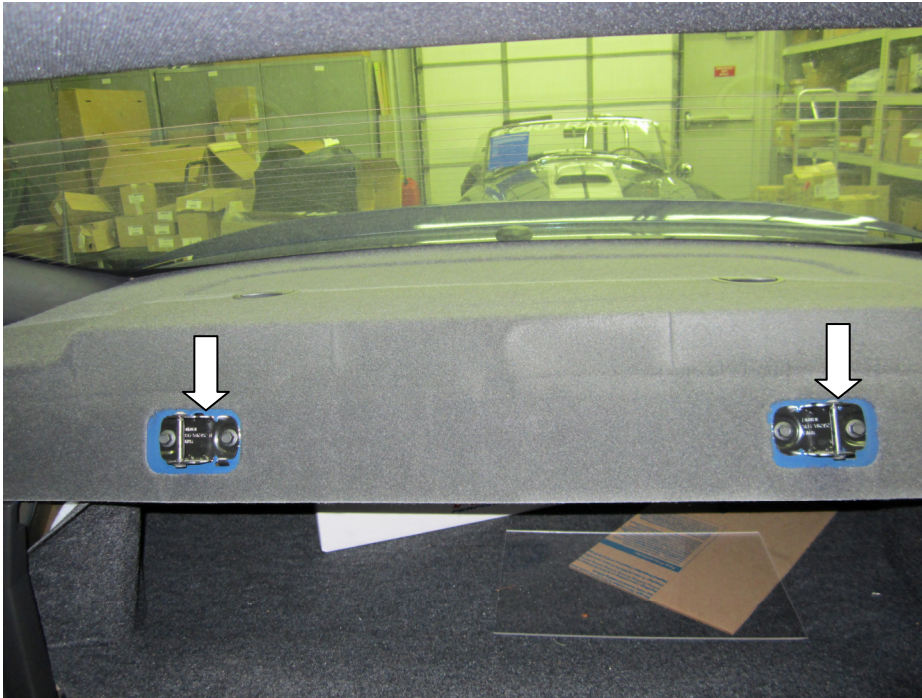


Item	Description
1	Backrest striker
2	Backrest striker bolts (2 required)
3	Backrest assembly
4	Backrest pivot bracket bolt
5	Backrest pivot bracket
6	Backrest-to-floor bolt

STEP 1: For hard top vehicles, remove the bolt, pull the strap to pivot the backrest down, slide the backrest out of the backrest pivot bracket and remove the affected backrest.

STEP 2: Remove backrest strikers, right and left hand. (10mm socket)

NO PART OF THIS DOCUMENT MAY BE REPRODUCED WITHOUT PRIOR AGREEMENT AND WRITTEN PERMISSION OF FORD RACING PERFORMANCE PARTS.



Pic. #1

STEP 3: Remove backrest pivot bracket. (13mm socket)



Pic. # 2

Factory Ford shop manuals are available from Helm Publications, 1-800-782-4356

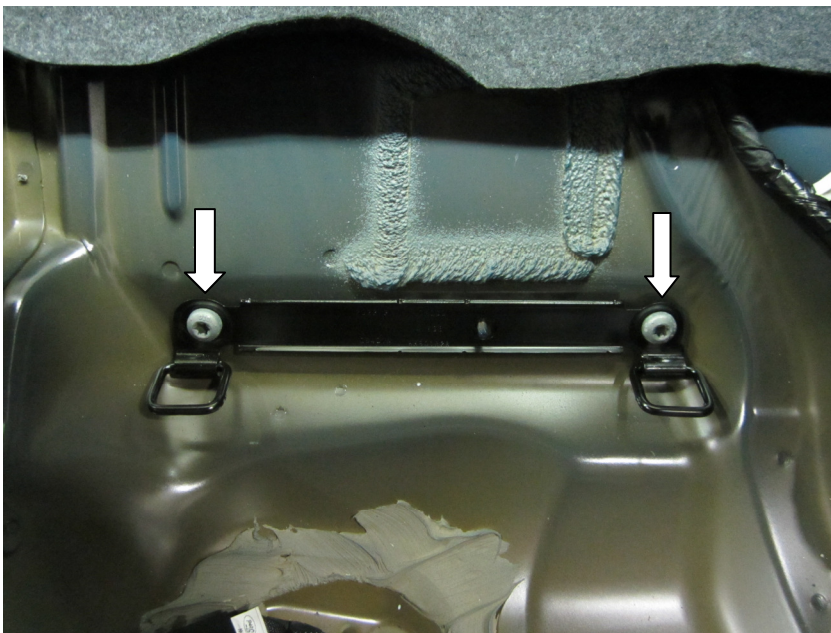
NO PART OF THIS DOCUMENT MAY BE REPRODUCED WITHOUT PRIOR AGREEMENT AND WRITTEN PERMISSION OF FORD RACING PERFORMANCE PARTS.

STEP 4: Remove backrest to floor bolts, left and right hand. (13mm socket) Reinstall bolt only after removal to plug hole, both sides.



Pic. # 3

STEP 5: Remove bracket on right and left sides (4 bolts, # 50 Torx™ bit)



Pic. # 4

Factory Ford shop manuals are available from Helm Publications, 1-800-782-4356

NO PART OF THIS DOCUMENT MAY BE REPRODUCED WITHOUT PRIOR AGREEMENT AND WRITTEN PERMISSION OF FORD RACING PERFORMANCE PARTS.

STEP 6: Remove seat belt latch, both sides.(15mm socket)



Pic. # 5

STEP 7: Release A-pillar trim where it meets the Quarter window trim panel. Trim only has to be pulled down as far as pictured to remove Quarter Window Trim Panel. (RH shown)

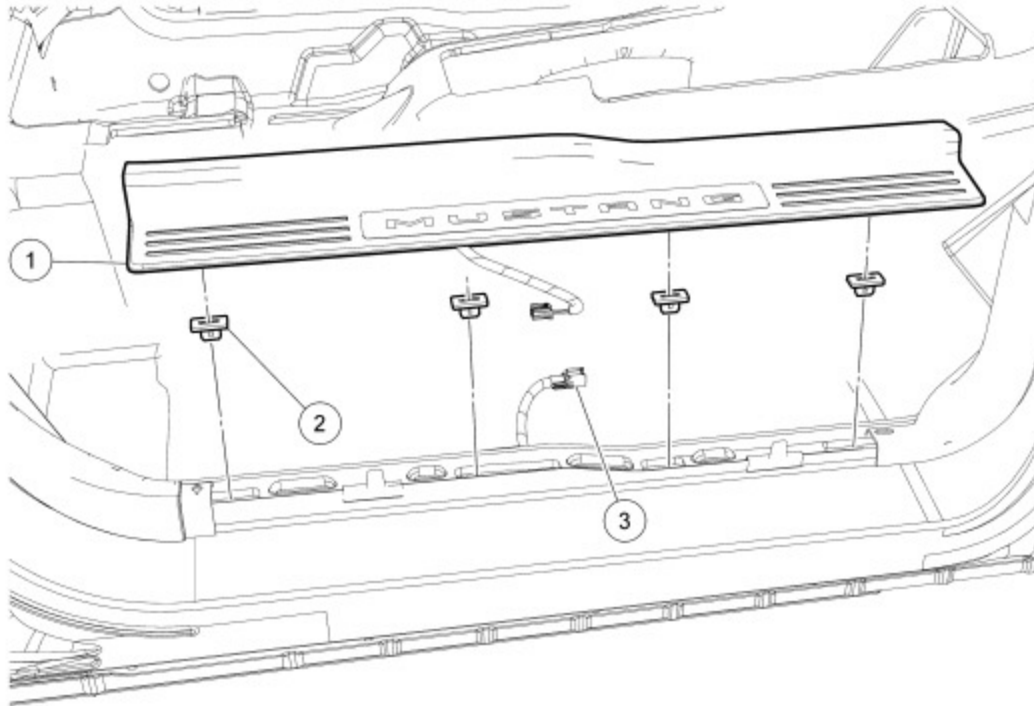


Pic. # 6

Factory Ford shop manuals are available from Helm Publications, 1-800-782-4356

NO PART OF THIS DOCUMENT MAY BE REPRODUCED WITHOUT PRIOR AGREEMENT AND WRITTEN PERMISSION OF FORD RACING PERFORMANCE PARTS.

SCUFF PLATE TRIM PANEL - REMOVAL



Item		Description
1		Scuff plate trim panel
2		Scuff plate trim panel retaining clips (4 required)
3	1	Scuff plate trim panel electrical connector

STEP 1: **NOTICE:** To avoid damage to the scuff plate trim panel, remove any retaining clips from the body and attach them to the scuff plate trim panel before installing.

Remove the front door scuff plate trim panel by lifting straight up on the front and rear edge of the scuff plate trim panel to release the 4 lower retaining clips.

STEP 2: Disconnect the door scuff plate trim panel electrical connector.

STEP 3: Remove the door scuff plate trim panel.

STEP 4: To install, reverse the removal procedure.



M-6346612-A Boss 302 X-Brace w/rear seat delete kit INSTALLATION INSTRUCTIONS

NO PART OF THIS DOCUMENT MAY BE REPRODUCED WITHOUT PRIOR AGREEMENT AND WRITTEN PERMISSION OF FORD RACING PERFORMANCE PARTS.

QUARTER TRIM PANEL - REMOVAL

REMOVAL AND INSTALLATION:

- STEP 1:** Remove the door scuff plate. (Done in previous steps)
- STEP 2:** Remove the quarter trim panel lower pin-type retainer.
- STEP 3:** Release and fold the rear seat forward, remove the 2 pushpin retainers and the rear quarter trim panel.
- STEP 4:** To install, reverse the removal procedure.

QUARTER WINDOW TRIM PANEL - REMOVAL

REMOVAL AND INSTALLATION:

- STEP 1:** **NOTE:** *On the coupe, install the front locating hook, then snap the A-pillar trim panel in place, working rearward.*
Remove the 2 A-pillar trim panels. (done in previous steps see pic. #6)
- STEP 2:** Remove the rear quarter trim panel. (done in previous steps)
- STEP 3:** Open the garment hook cover. Remove the bolt and garment hook.
- STEP 4:** Remove the upper front safety belt anchor bolt cover and bolt.
- To install, tighten to 48 Nm (35 lb-ft).
 - Disconnecting rear defrost wire may ease removal
- STEP 5:** Remove the quarter window trim panel, by pulling outward.
- STEP 6:** To install, reverse the removal procedure.

PARCEL SHELF - REMOVAL

REMOVAL AND INSTALLATION:

- STEP 1:** Remove the 4 parcel shelf pin-type retainers.
- STEP 2:** Position the 2 rear seat belts aside and remove the parcel shelf.
- STEP 3:** To install, reverse the removal procedure.

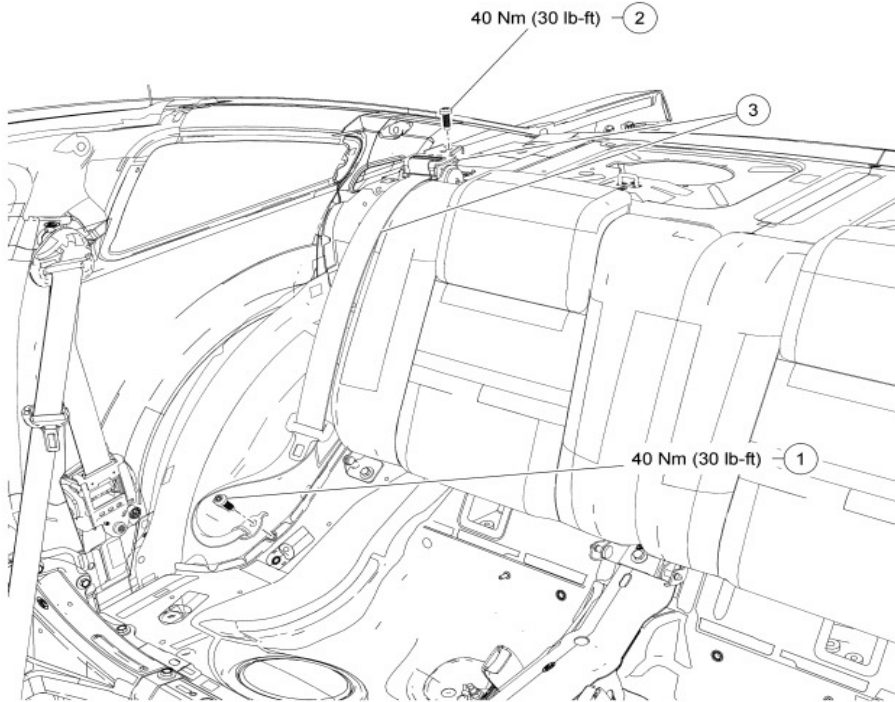
Factory Ford shop manuals are available from Helm Publications, 1-800-782-4356

NO PART OF THIS DOCUMENT MAY BE REPRODUCED WITHOUT PRIOR AGREEMENT AND WRITTEN PERMISSION OF FORD RACING PERFORMANCE PARTS.

REAR SEAT BELTS - REMOVAL

SAFETY BELT RETRACTOR - COUPE

NOTE: RH shown, LH similar. (# 50 Torx™ bit)



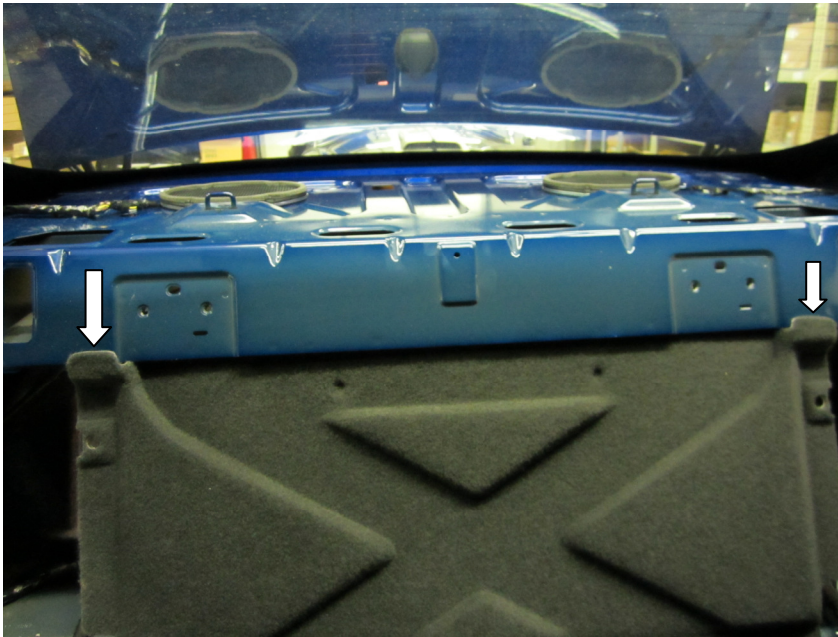
Item	Description
1	Safety belt anchor bolt
2	Safety belt retractor bolt
3	Safety belt retractor

STEP 1: Reinstall safety belt anchor bolt (item 1) to plug hole both sides.

NO PART OF THIS DOCUMENT MAY BE REPRODUCED WITHOUT PRIOR AGREEMENT AND WRITTEN PERMISSION OF FORD RACING PERFORMANCE PARTS.

X-BRACE/SEAT DELETE - INSTALLATION

STEP 1: Install Trunk End Trim Panel. Center the panel, make sure tabs are forward of Package Tray (see **Pic. # 7**). Install Torx™ bolts self tapping and torque to 20 lb-ft (see **Pic # 8**)



Pic. # 7



Pic. # 8

Factory Ford shop manuals are available from Helm Publications, 1-800-782-4356

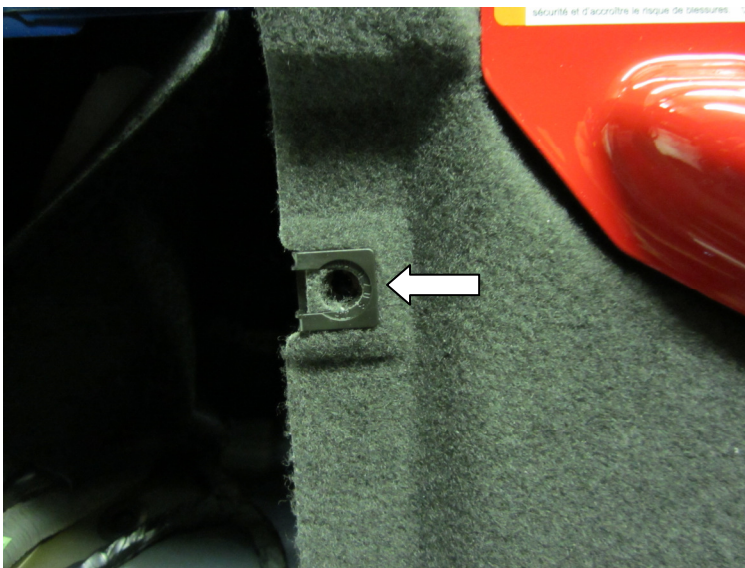
NO PART OF THIS DOCUMENT MAY BE REPRODUCED WITHOUT PRIOR AGREEMENT AND WRITTEN PERMISSION OF FORD RACING PERFORMANCE PARTS.

STEP 2: Install X-Brace. Torque upper 4 bolts to 17 lb-ft and lower 2 bolts to 30 lb-ft



Pic. # 9

STEP 3: Install nut clips Trunk End Trim Panel.



Pic. # 10

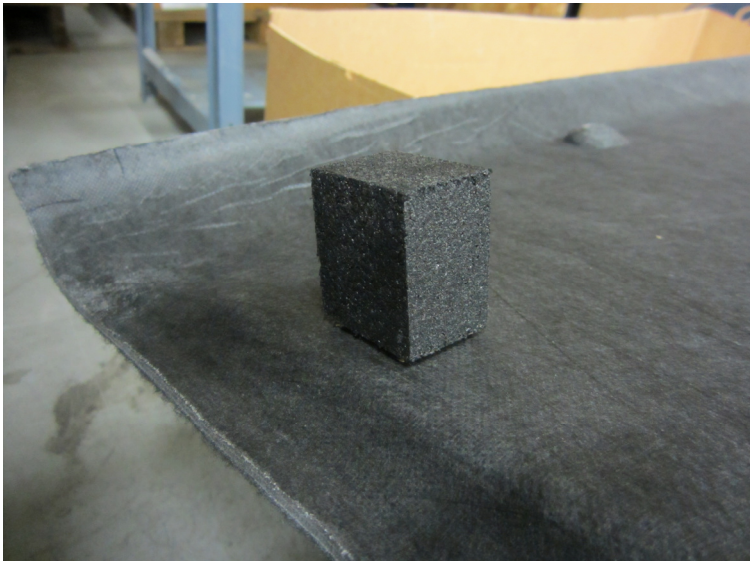


M-6346612-A
Boss 302 X-Brace w/rear seat delete kit
INSTALLATION INSTRUCTIONS

NO PART OF THIS DOCUMENT MAY BE REPRODUCED WITHOUT PRIOR AGREEMENT AND WRITTEN PERMISSION OF FORD RACING PERFORMANCE PARTS.

CENTER LUGGAGE COVER – INSTALLATION

- STEP 1:** Install Parcel Shelf using 4 pushpins.
- STEP 2:** Install Quarter Window Trim Panel by reversing removal procedure. Hook up rear defrost wires.
- STEP 3:** Install Quarter Trim Panel by reversing removal procedure using (6) push pins.
- STEP 3:** Install Scuff Plate Trim Panel by reversing removal procedure.
- STEP 5:** Install/snap into place the A-pillar trim where it meets the Quarter window trim panel (see Pic. # 6)
- STEP 6:** Install foam block to underside of Center Luggage Cover. Position 9" out from the push pin hole and 3.5" to 4" from the front edge.

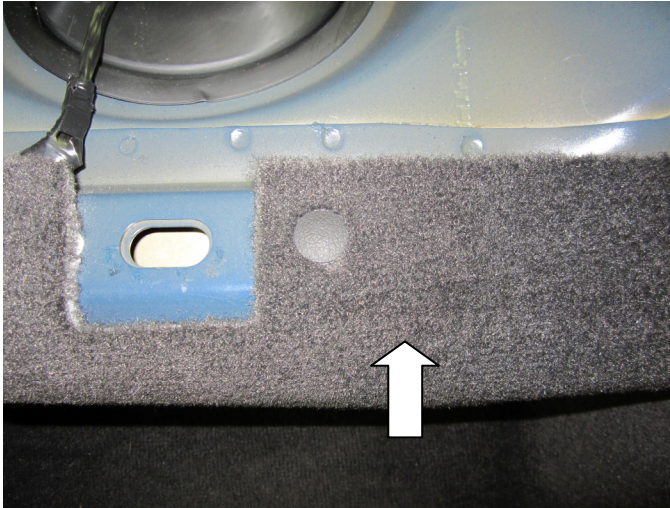


Pic # 11

Factory Ford shop manuals are available from Helm Publications, 1-800-782-4356

NO PART OF THIS DOCUMENT MAY BE REPRODUCED WITHOUT PRIOR AGREEMENT AND WRITTEN PERMISSION OF FORD RACING PERFORMANCE PARTS.

STEP 7: Remove push pins (2) that retain rear portion of carpet



Pic. # 12

STEP 8: When installing Center luggage Cover make sure front seats are moved to their forward most position and seat backs are tilted forward.

STEP 9: With assistance put the Center Luggage Cover inside the rear of the vehicle with tabs in a forward position towards the roof. Be careful not to damage the headliner.

STEP 10: Tilt the tab end towards the rear of the vehicle, again being careful not to damage the headliner.

STEP 11: Once the tabs are below the headliner, lift the front of the Center Luggage Cover inserting the tabs in under the package tray. Then lower the front of the Center Luggage Cover down into position.

STEP 12: Install fasteners as pictured in **Fig. # 1**

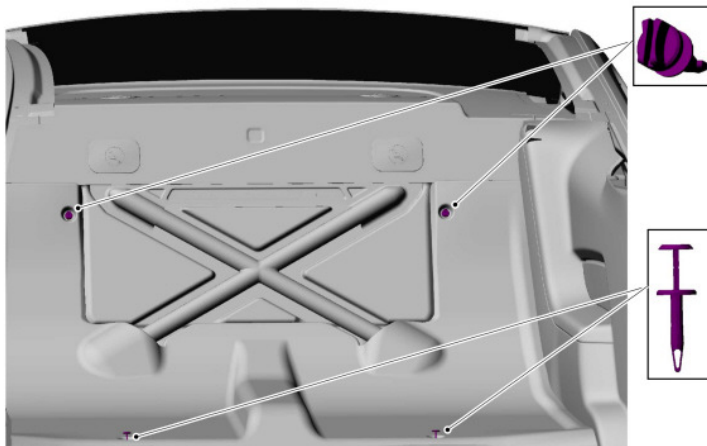
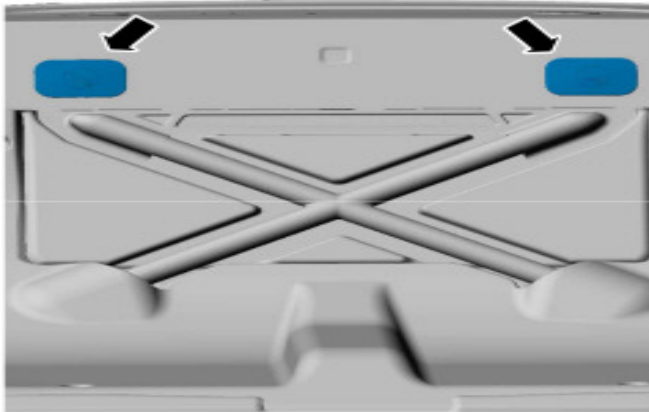


Fig. # 1

Factory Ford shop manuals are available from Helm Publications, 1-800-782-4356

NO PART OF THIS DOCUMENT MAY BE REPRODUCED WITHOUT PRIOR AGREEMENT AND WRITTEN PERMISSION OF FORD RACING PERFORMANCE PARTS.

STEP 13: Install Trim Bezels over X-Brace upper mounting bolts



STEP 14: Finished installation minus Trim Bezels

