



Part Number: M-5872-M
MUSTANG REAR SUB-FRAME TO BODY BUSHING KIT
INSTALLATION INSTRUCTIONS

Please visit www.fordracingparts.com for the most current instruction information

!!! PLEASE READ ALL OF THE FOLLOWING INSTRUCTIONS CAREFULLY PRIOR TO INSTALLATION.

AT ANY TIME YOU DO NOT UNDERSTAND THE INSTRUCTIONS, PLEASE CALL THE FORD RACING TECHLINE AT 1-800-367-3788!!!

OVERVIEW:

The use of a floor hoist is recommended for this installation. If you do not have access to one, use a hydraulic floor jack and jack stands to raise the vehicle.

Freezing Bushings overnight will ease installation.

!!!CAUTION: JACK STANDS MUST BE USED ON A LEVEL SURFACE AND BE SECURELY SEATED. FAILURE TO DO SO MAY RESULT IN PERSONAL INJURY OR VEHICLE DAMAGE!!!

KIT INCLUDES:

<u>Item #</u>	<u>Qty:</u>	<u>Description</u>
M-5872-M	8	Bushings



Factory Ford shop manuals are available from Helm Publications, 1-800-782-4356



Part Number: M-5872-M MUSTANG REAR SUB-FRAME TO BODY BUSHING KIT INSTALLATION INSTRUCTIONS

1. Disconnect Battery.
2. Safely lift and support vehicle.
3. Remove rear wheels.

Muffler and Tailpipe

V-6 and V-8 shown, EcoBoost 4 cylinder is single

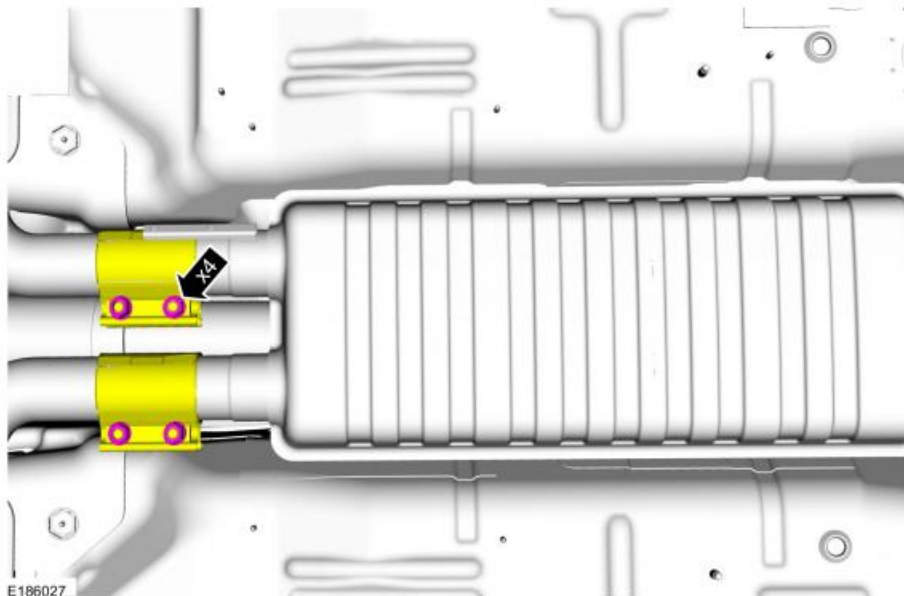
Removal

NOTE: Do not excessively bend, twist or allow the exhaust to hang from the flexible joint or damage to the exhaust system may occur.

NOTE: Do not use oil or grease-based lubricants on the isolators. They may cause deterioration of the rubber.

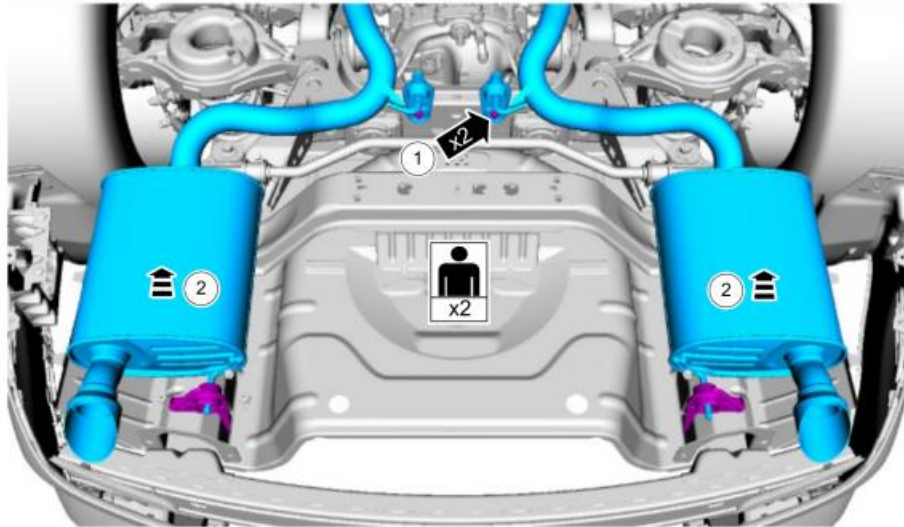
NOTE: Removal steps in this procedure may contain installation details.

1. With the vehicle in NEUTRAL, position it on a hoist.
2. Loosen the clamps and separate the muffler and tailpipe from the RH catalytic converter and LH muffler inlet pipe.
Torque: 35 lb.ft (48 Nm)



Factory Ford shop manuals are available from Helm Publications, 1-800-782-4356

- 3.
1. Remove the LH and RH rear exhaust hanger isolator bracket bolts from the rear sub-frame.
 2. Unhook the rear exhaust hanger isolators and remove the muffler and tailpipe.



E198946

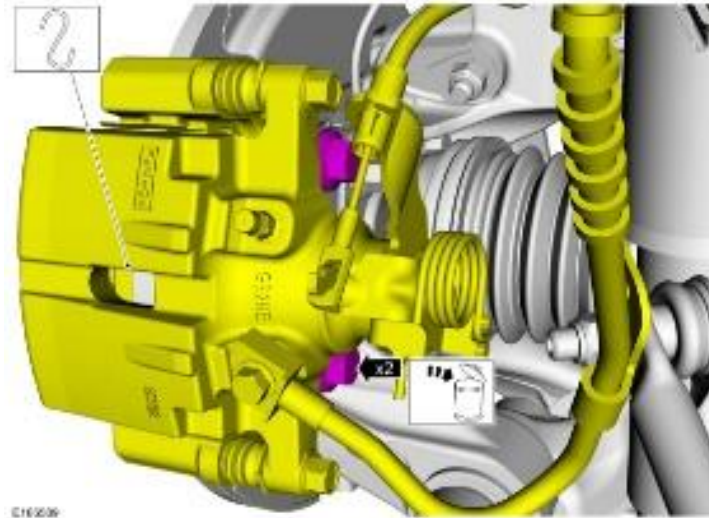
Installation

1. To install, reverse the removal procedure.

Brake Disc

NOTICE: Do not allow the brake caliper and anchor plate assembly to hang from the brake hose or damage to the hose may occur.

4. Remove the 2 bolts and position the brake caliper and anchor plate assembly aside.
Torque: 129 lb.ft (175 Nm)



5. Remove the brake disc.



Installation

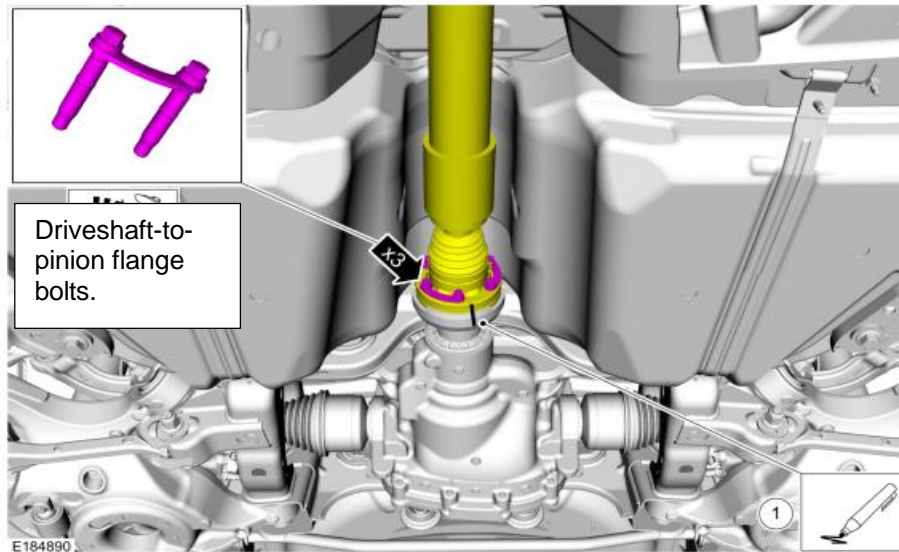
To install, reverse the removal procedure

Rear Sub-frame

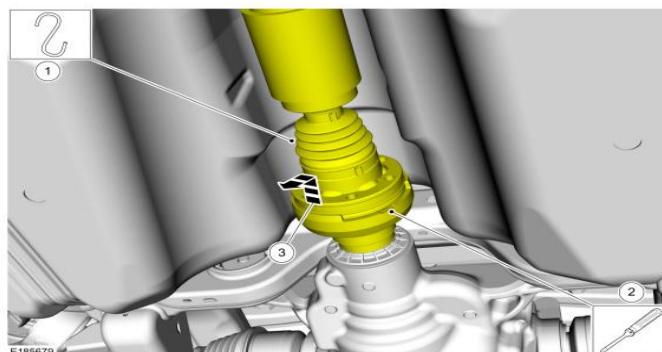
Removal

NOTICE: Suspension fasteners are critical parts that affect the performance of vital components and systems. Failure of these fasteners may result in major service expense. Use the same or equivalent parts if replacement is necessary. Do not use a replacement part of lesser quality or substitute design. Tighten fasteners as specified.

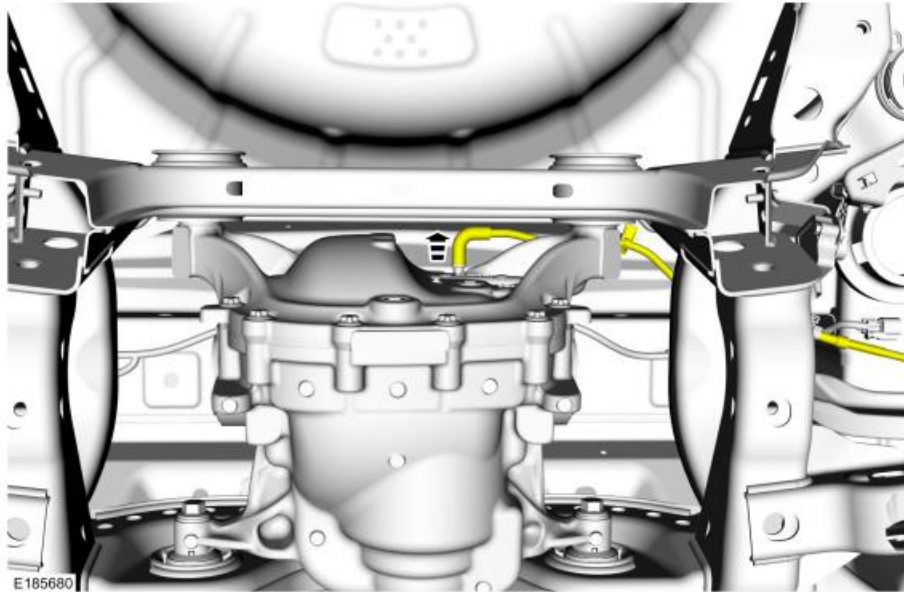
- 6.
1. Index mark the driveshaft and the pinion flange for reference during installation.
2. Remove the driveshaft-to-pinion flange bolts.



7. **NOTICE:** Do not remove driveshaft from the pinion flange by pulling on the driveshaft tube. Damage to the CV-joint can result.
1. Support the driveshaft.
2. Using a screwdriver inserted into the slot on the pinion flange, pry the driveshaft from the pinion flange.
3. Separate the driveshaft from the pinion flange.

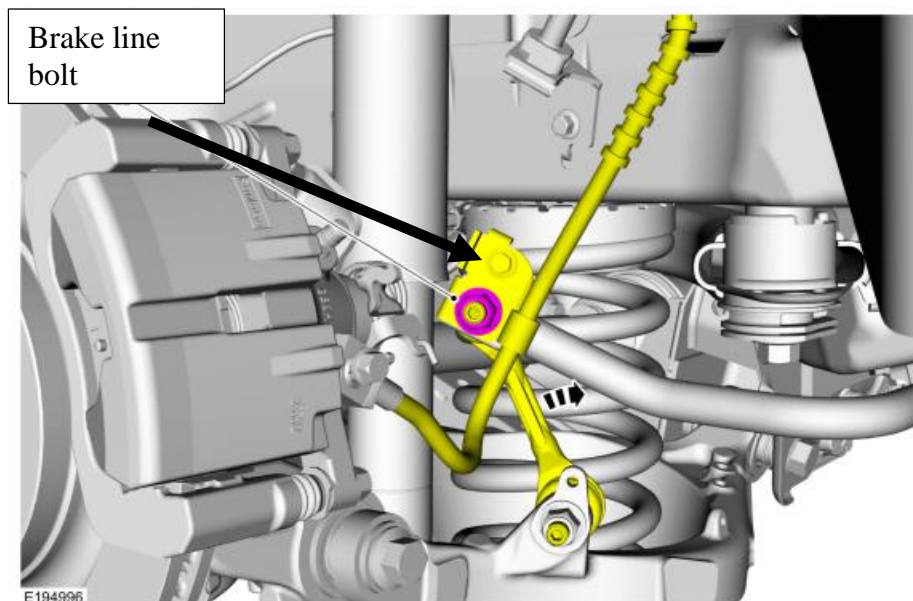


8. Disconnect the differential vent tube.

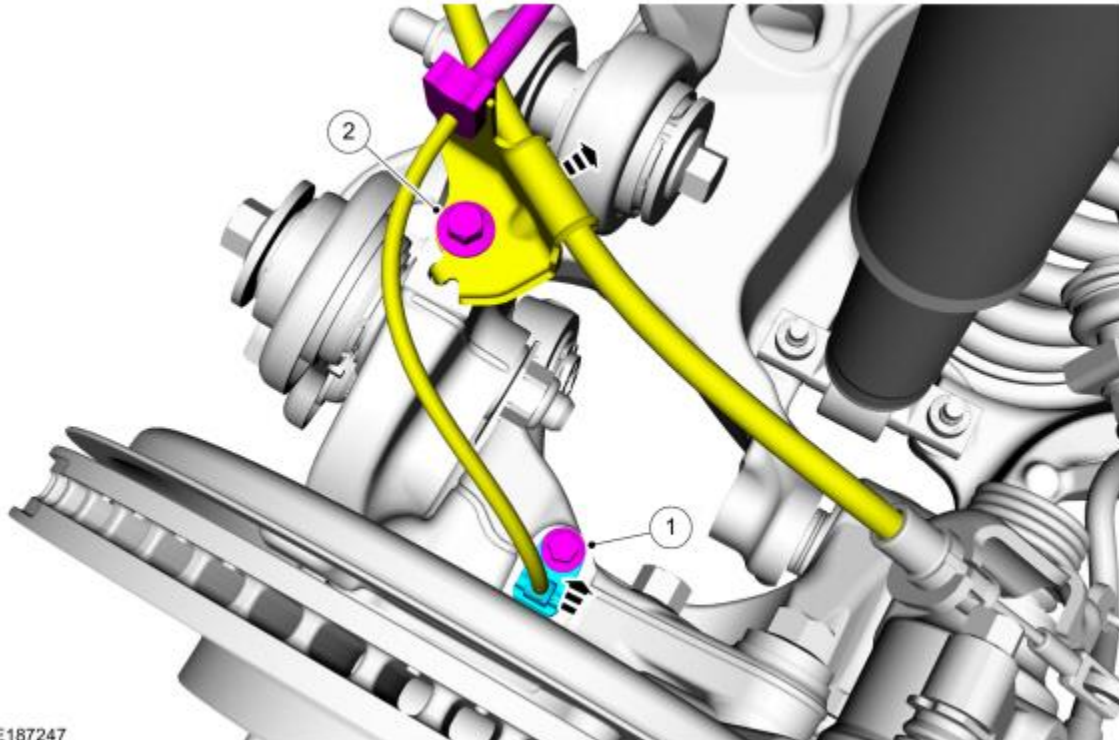


9. On both sides.

Remove the rear brake line bolt from the stabilizer bar link upper bracket.



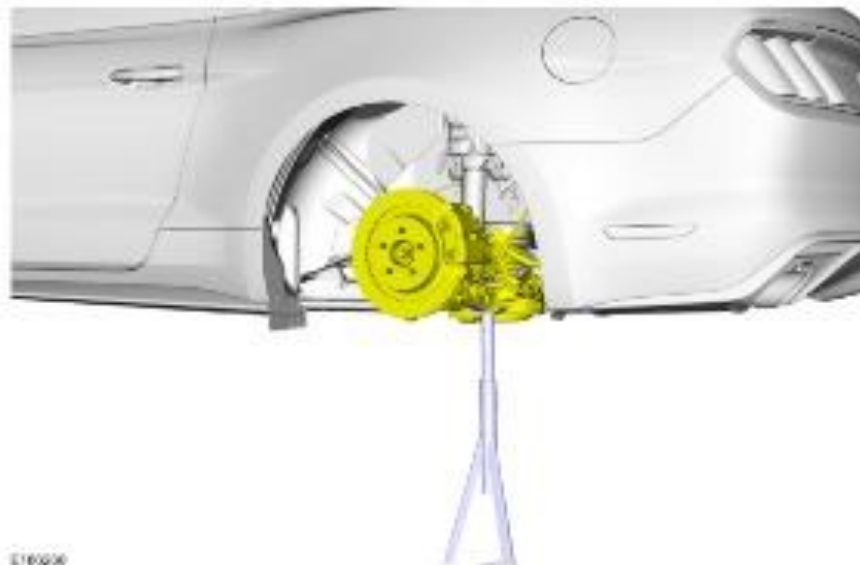
10. Remove both wheel speed sensors bolts (1) and E-brake bracket bolts (2).



E187247

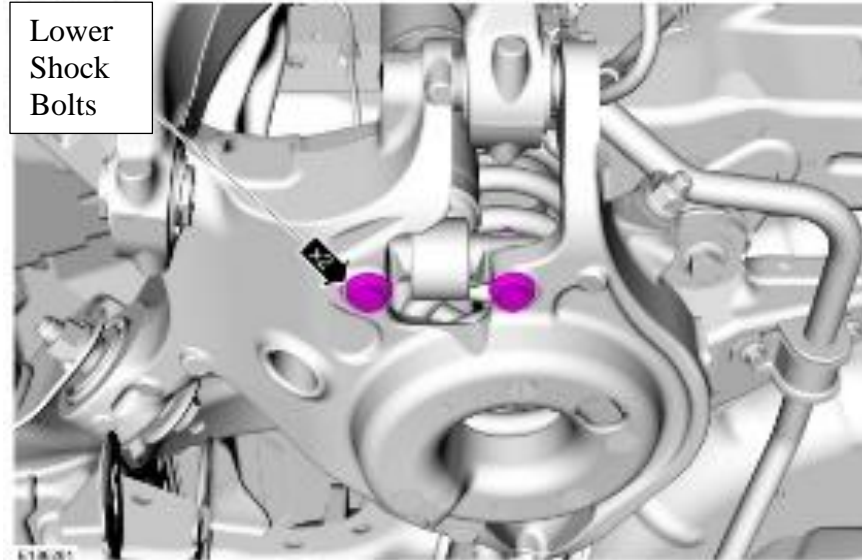
Lower Arm / Coil Spring

11. Support the suspension at curb height.
Use the General Equipment: Floor Jack.

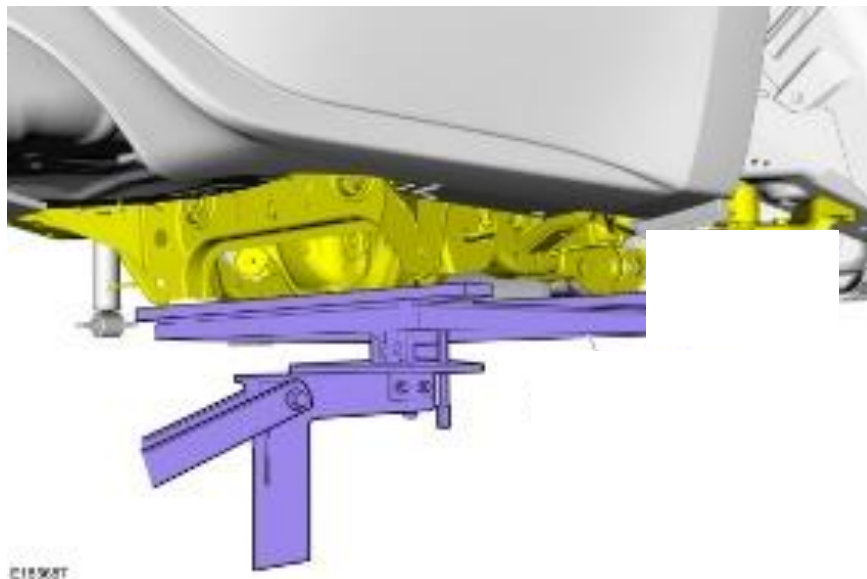


E16036

12. Remove the 2 lower shock absorber bolts. Lower floor jack your coil spring will be loose in the pocket. Repeat on The other side of vehicle.

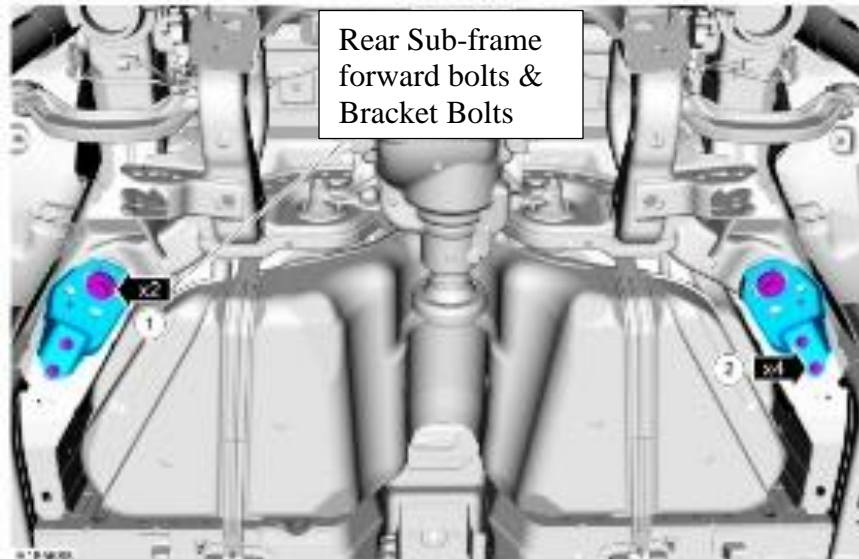


13. Position a floor jack under the rear sub-frame.

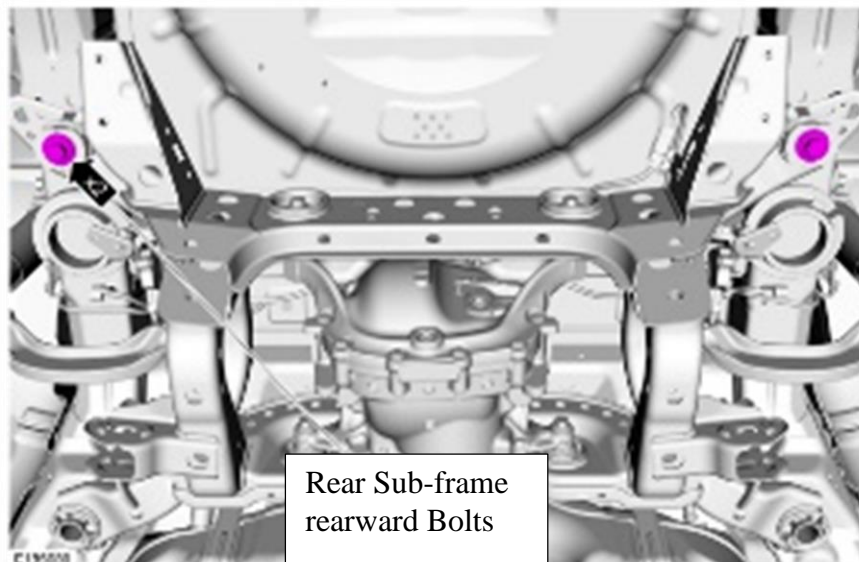


14. Remove the 2 rear sub-frame forward bolts.

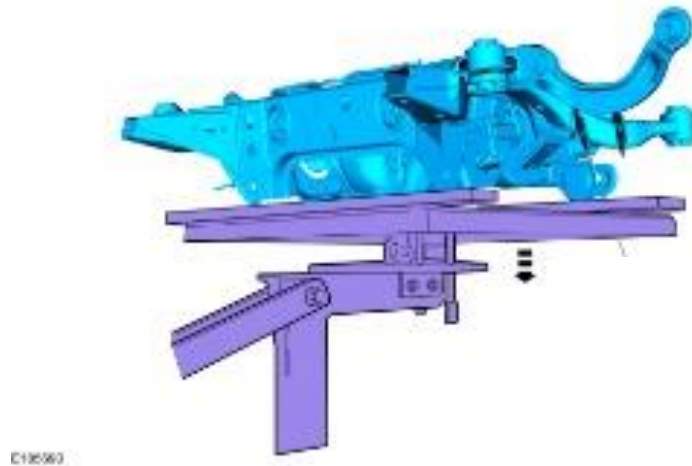
Remove the 4 rear sub-frame bracket bolts and remove the brackets.



15. Remove the 2 rear sub-frame rearward bolts.



16. Using the floor jack, lower the rear sub-frame from the vehicle.



17. With the frame out of the vehicle, remove the four (4) Body Mount Bushings. Cut the rubber out of the Center then score the outer sleeve. Now tap the sleeve out with a hammer. Care must be taken not to cut into the sub frame.

Note: It is necessary to modify a Reciprocating Saw Blade (see fig. below)

**Modify
Reciprocating
Saw Blade**



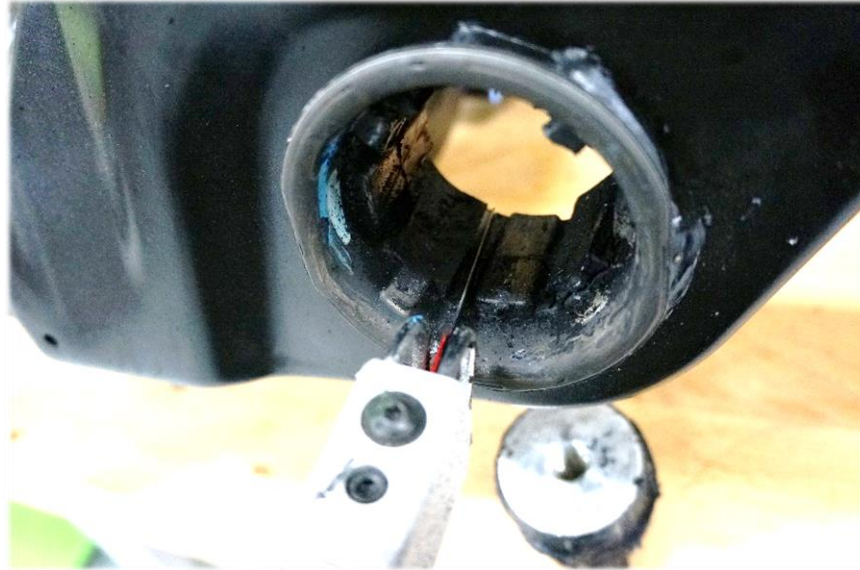
**Cut the
rubber out
of the
Center**



**Remove
Center
Rubber**



**Score the
outer
sleeve**

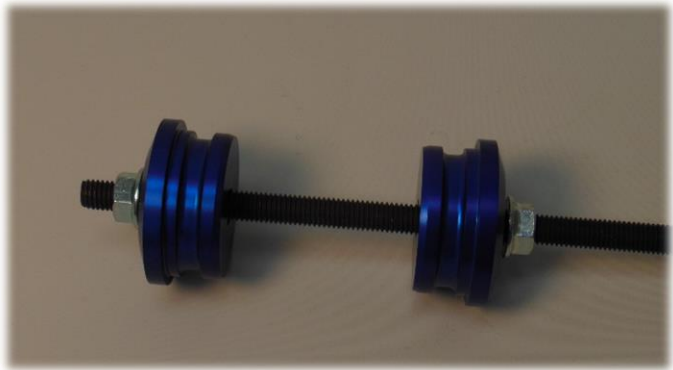
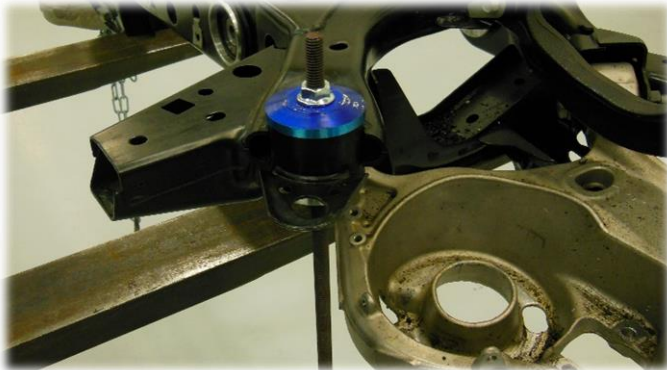


**Tap the
sleeve out
with a
hammer**



Bushing Installation

18. Apply green Loctite to the bushing boss on the frame. Now install the 2 piece bushing, using 1/2" threaded Rod approximately 8" long, and two 1/2" flange nuts. Use care not to damage surface. Repeat on all other bushings.



19. Once you have all the bushings installed, Reinstalled the rear sub-frame.
To install reverse removal procedure. Torque all bolt see list below.

NOTICE: Suspension fasteners are critical parts that affect the performance of vital components and systems. Failure of these fasteners may result in major service expense. Use the same or equivalent parts if replacement is necessary. Do not use a replacement part of lesser quality or substitute design. Tighten fasteners as specified.

NOTICE: Tighten the suspension bushing fasteners with the suspension loaded or with the weight of the vehicle resting on the wheels and tires, otherwise incorrect clamp load and bushing damage may occur.

NOTICE: Check alignment and adjust as necessary.

NOTICE: Apply blue Loctite to all remove fasteners before reinstalling.

Rear differential 175.0 +/- 26.3 Nm
Axle nut 133.0 Nm +45deg
E brake cable bracket 27.5 +/- 4.2 Nm
Wheel sensor bolt 9.0 +/- 1.4 Nm
Wheel bearing bolts 133.0 +/- 20.0 Nm
Brake caliper mounting bolts 175 +/- 26.3 Nm
Lower control arm bolts outer 175 +/- 26.3 Nm
Lower control arm bolts inner 250 +/- 37.5 Nm
Lower shock bolts 47.5 +/- 7.2 Nm
Sway bar u bracket 70.0 +/- 10.5 Nm
Sway bar link 115 +/- 17.5 Nm
Sub frame mounting bolts 21mm heads 175 +/- 26.3 Nm
Sub frame mounting bolts 13 mm heads 55 +/- 7.2 Nm
Driveshaft-to-pinion flange bolts 55 +/- 7.2 Nm
Sub-frame bracket bolts. 55 +/- 7.2 Nm