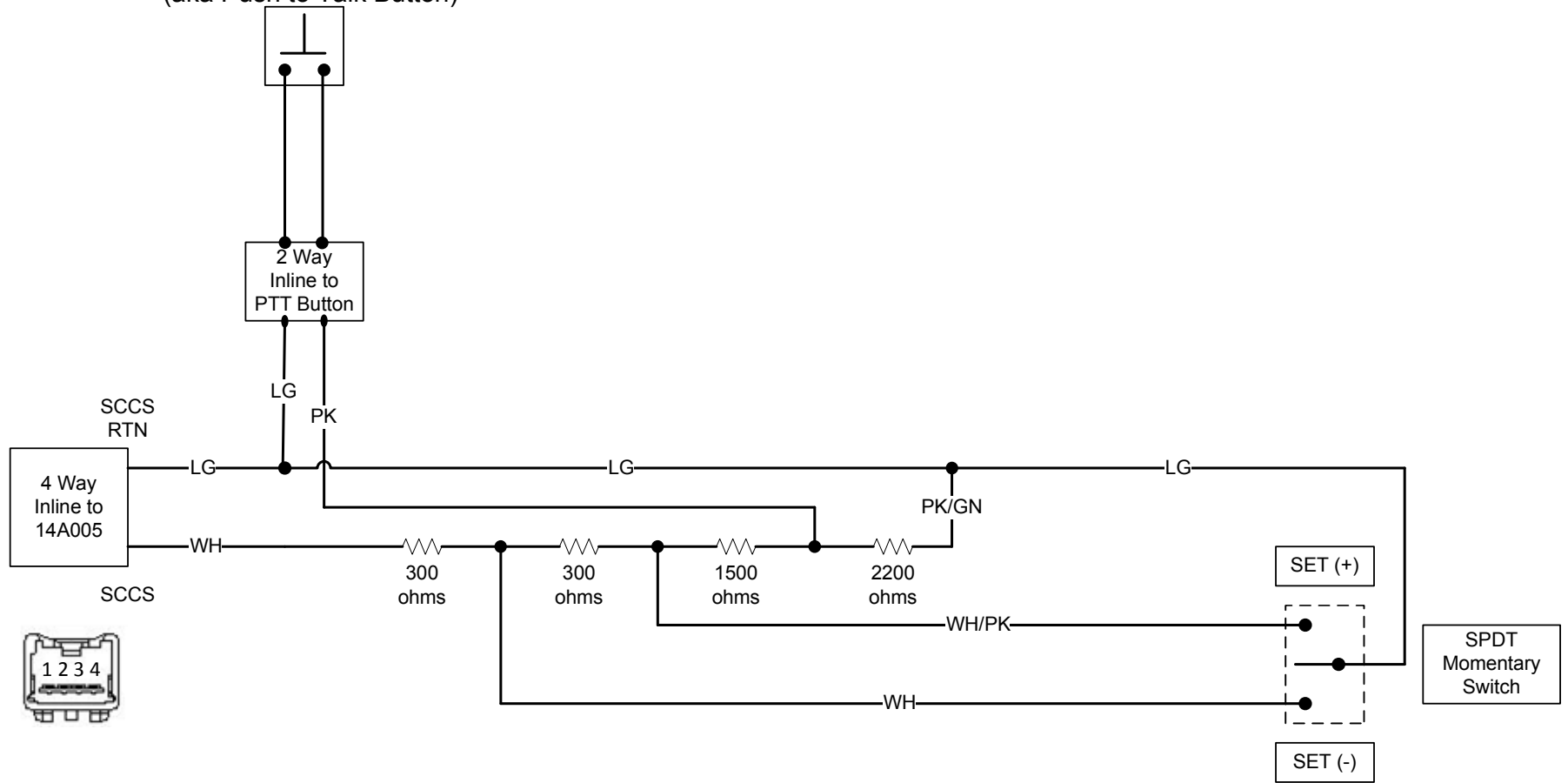
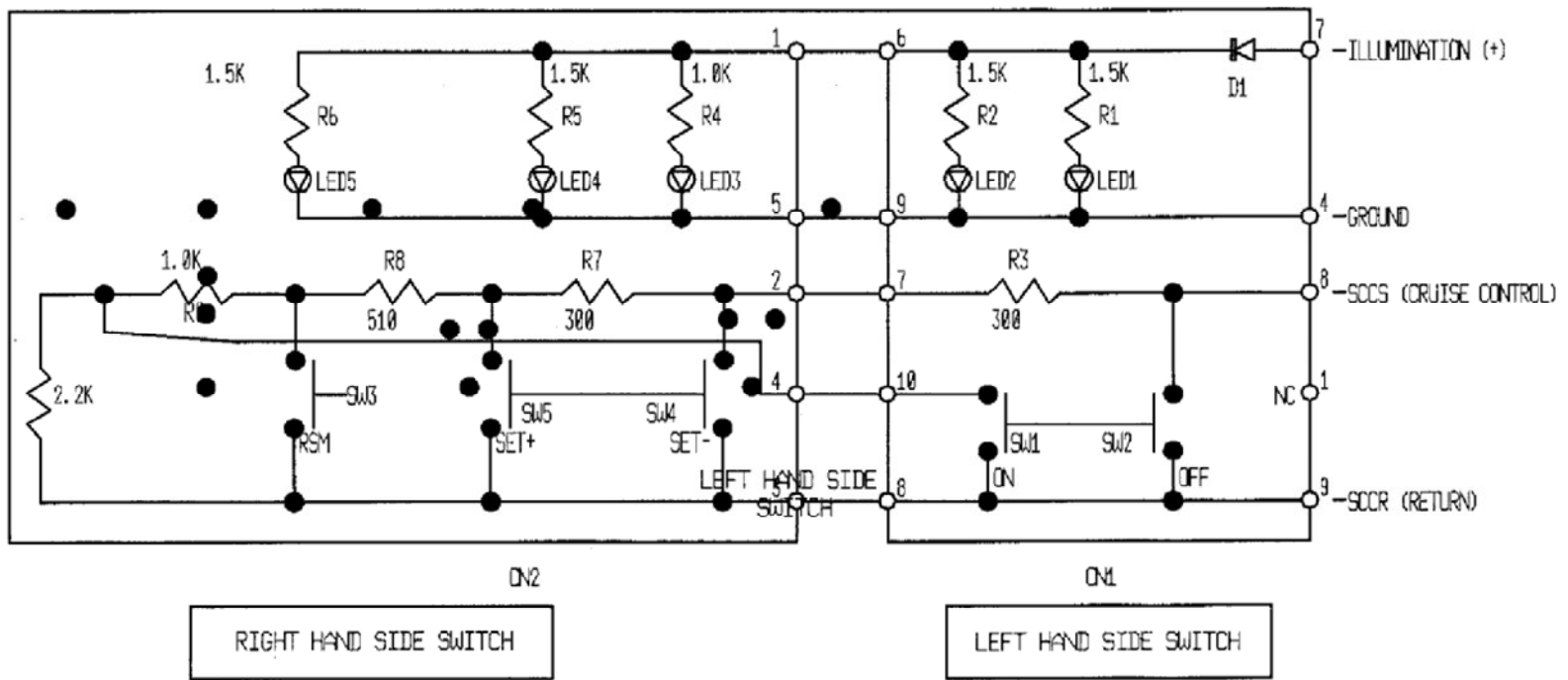


PLSL ON/OFF Button
(aka Push to Talk Button)

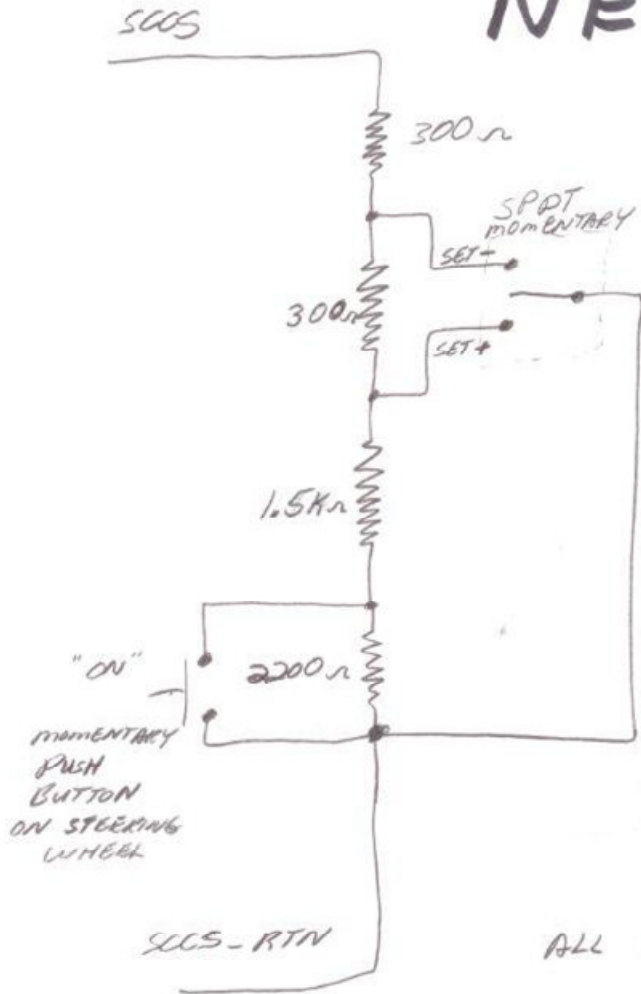


Cavity	Wire		Circuit Function
	Color	Gauge	
2	LG	20	SCCS RETURN
3	WH	20	SCCS

Included Switch Internal Schematic Diagram



NEW



Revision History:

10/21/10: Revision A Initial Release

2/12/11: Revision B, modified resistance values to address nominal condition of open switch contacts

ALL RESISTORS
+/- 5%

12/14/10